

I. PARTS LIST

FIG. 1	MAIN BODY AREA (RA4050, RA4200, RA4900)	2
FIG. 2	MAIN BODY AREA (RA4300, RA5900)	4
FIG. 3	ELEVATOR-SCRAPER AREA	6
FIG. 4	PAPER-FEED TRAY (RA4050, RA4200)	8
FIG. 5	PAPER-FEED TRAY (RA4300, RA4900, RA5900)	10
FIG. 6	DRIVE MECHANISM AREA (RA4050)	12
FIG. 7	DRIVE MECHANISM AREA (RA4200, RA4300, RA4900, RA5900)	16
FIG. 8	ROLLER SYSTEM AREA	20
FIG. 9	SQUEEGEE-INK PUMP UNIT AREA	22
FIG. 10	DRUM-SCREEN AREA	26
FIG. 11	LOCK LEVER AREA	28
FIG. 12	CLAMP-PRESSURE CONTROL AREA	30
FIG. 13	SEPARATOR AREA	32
FIG. 14	SUCTION UNIT (RA4050, RA4200)	34
FIG. 15	SUCTION UNIT (RA4300, RA4900, RA5900)	36
FIG. 16	PAPER RECEIVING TRAY	38
FIG. 17	UPPER COVER (RA4050, RA4200, RA4900)	40
FIG. 18	ADF AREA (1) OLD TYPE (RA4050, RA4200, RA4900)	42
FIG. 19	ADF AREA (1) NEW TYPE (RA4050, RA4200, RA4900)	44
FIG. 20	ADF AREA (2) OLD TYPE (RA4050, RA4200, RA4900)	46
FIG. 21	ADF AREA (2) NEW TYPE (RA4050, RA4200, RA4900)	48
FIG. 22	ADF AREA (1) (RA4300, RA5900)	50
FIG. 23	ADF AREA (2) (RA4300, RA5900)	52
FIG. 24	SCANNER AREA (RA4300, RA5900)	54
FIG. 25	MASTER-MAKING AREA (1)	58
FIG. 26	MASTER-MAKING AREA (2)	62
FIG. 27	CUTTER UNIT	64
FIG. 28	MASTER REMOVAL UNIT	66
FIG. 29	MASTER DISPOSAL BOX	68
FIG. 30	ELECTRICAL COMPONENT AREA (1)	70
FIG. 31	ELECTRICAL COMPONENT AREA (2)	74
FIG. 32	EXTERIOR COVER AREA (RA4050, RA4200, RA4900)	76
FIG. 33	EXTERIOR COVER AREA (RA4300, RA5900)	78
FIG. 34	STAGE COVER (RA4300, RA5900)	80
FIG. 35	DIGITIZER (RA5900)	82
FIG. 36	CONNECTING PARTS FOR OPTION	84

FIG. 1 MAIN BODY AREA (RA4050, RA4200, RA4900)

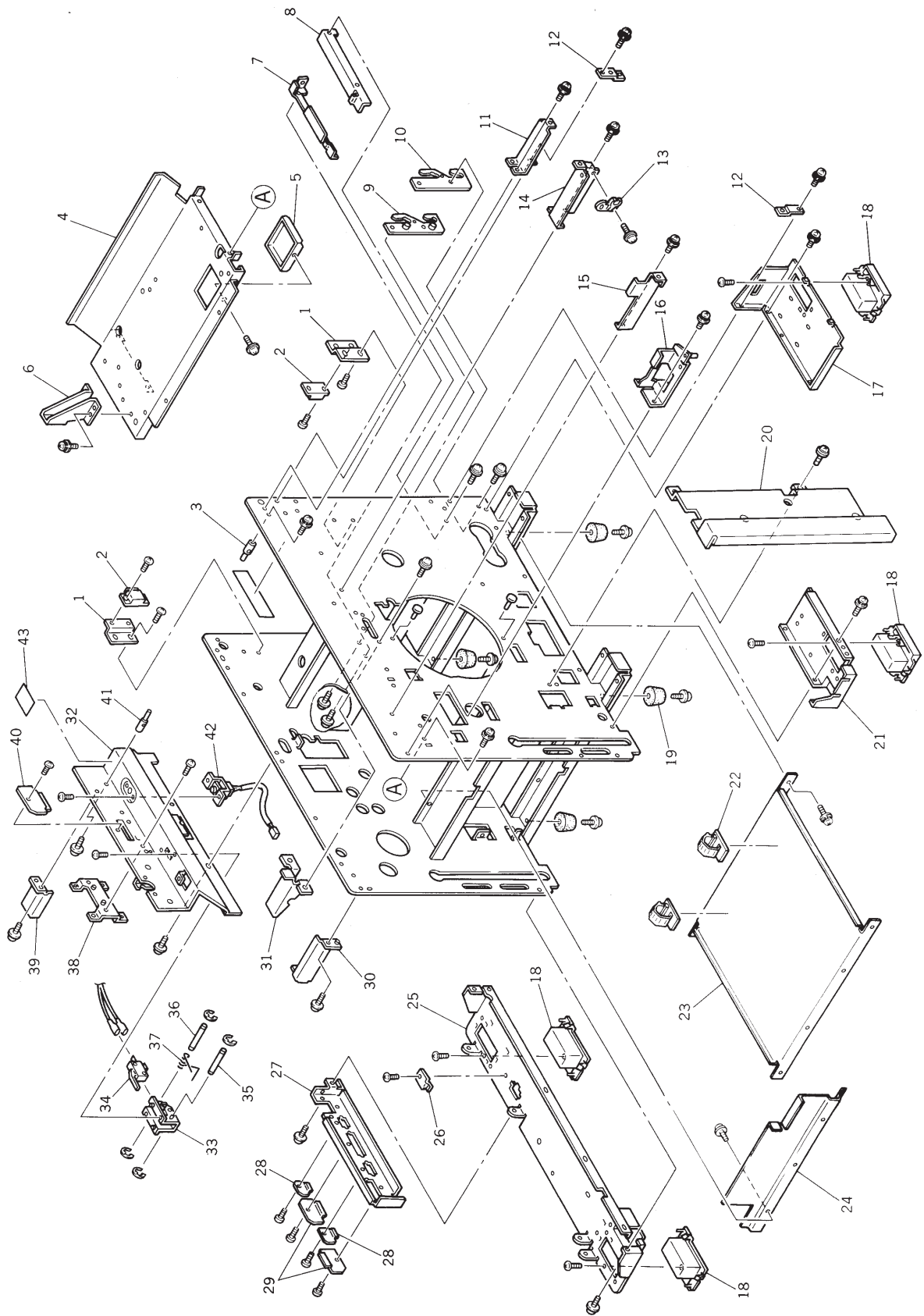


FIG. 2 MAIN BODY AREA (RA4300, RA5900)

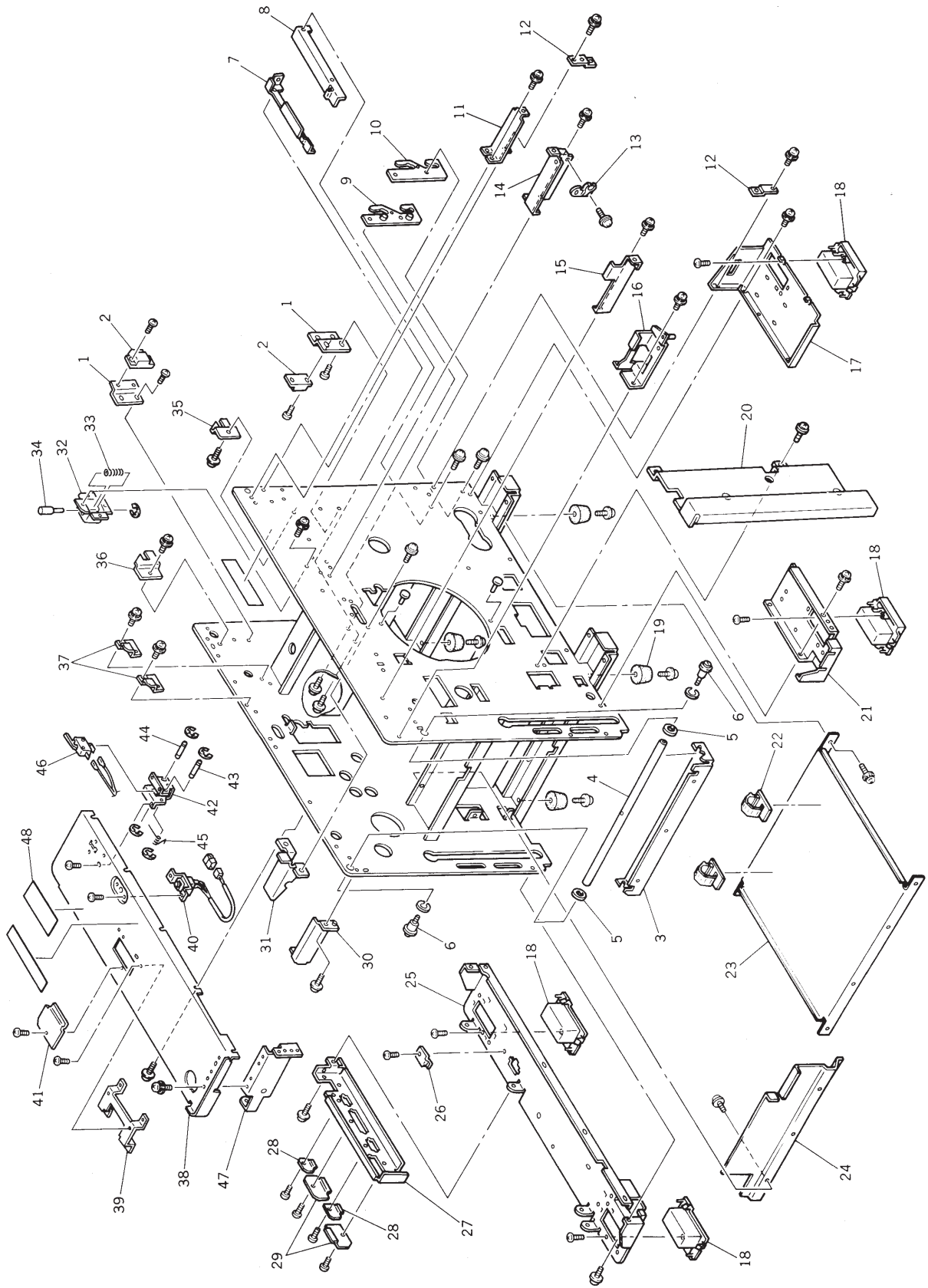


FIG. 3 ELEVATOR-SCRAPER AREA

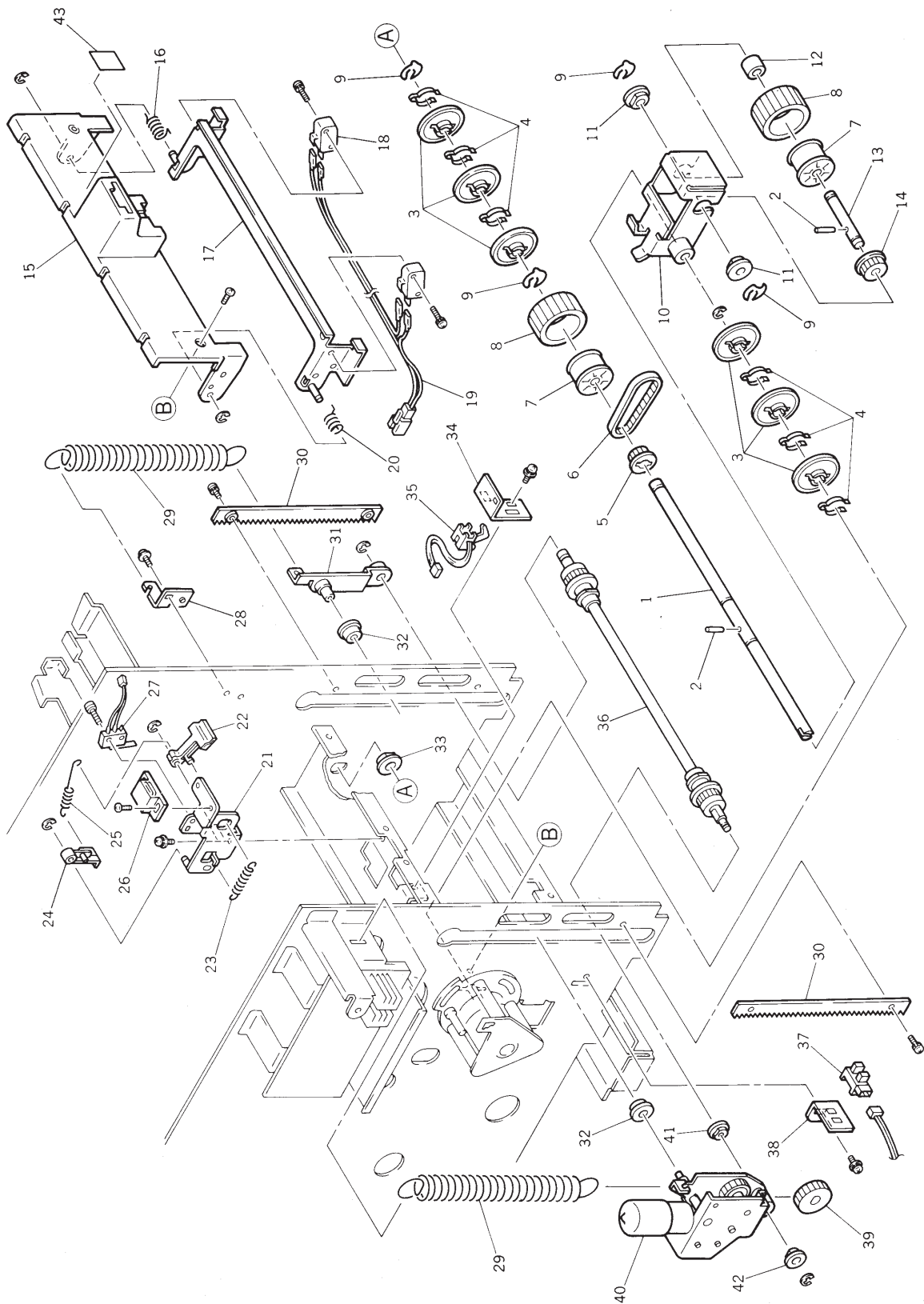


FIG. 4 PAPER-FEED TRAY (RA4050, RA4200)

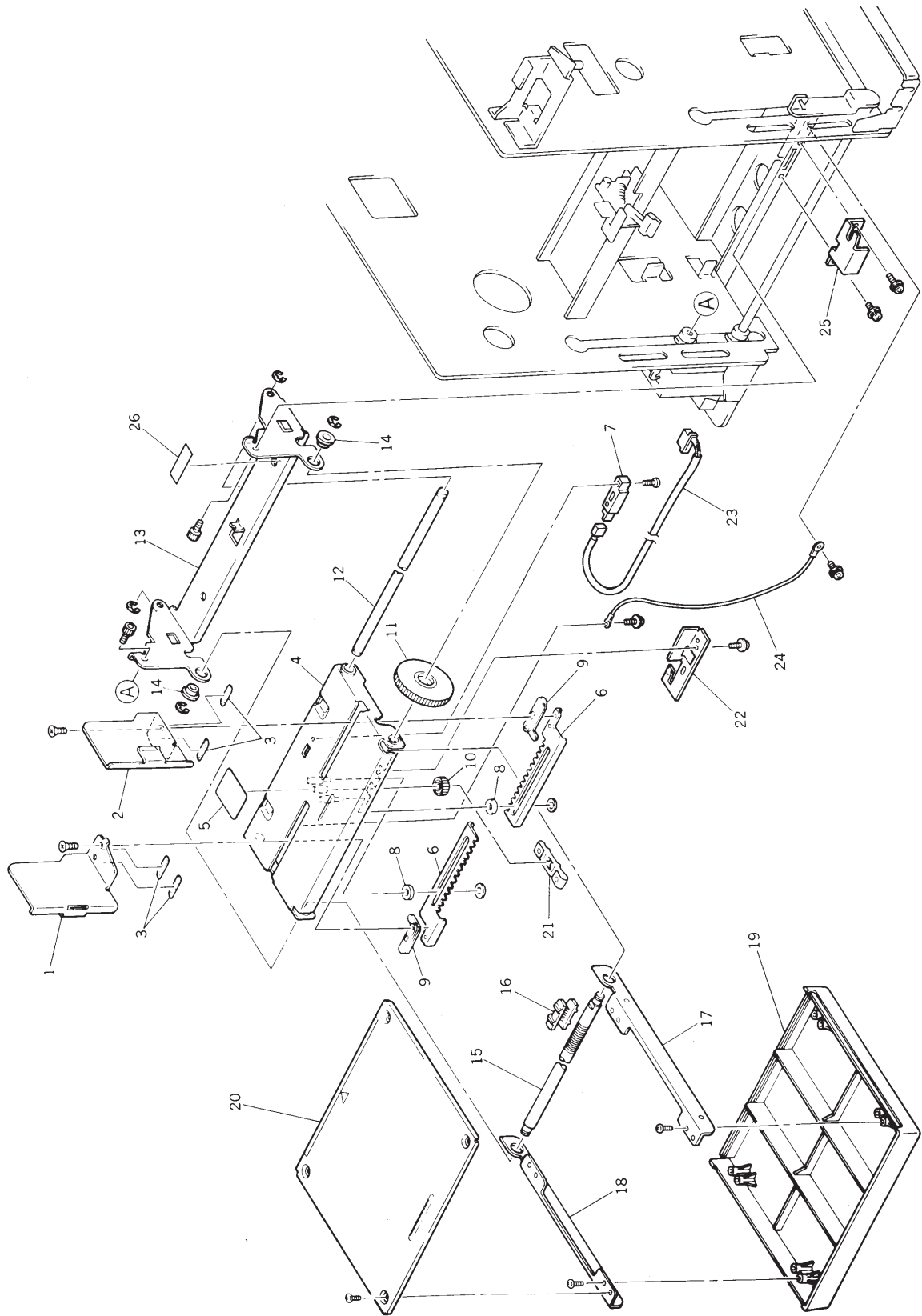


FIG. 5 PAPER-FEED TRAY (RA4300, RA4900, RA5900)

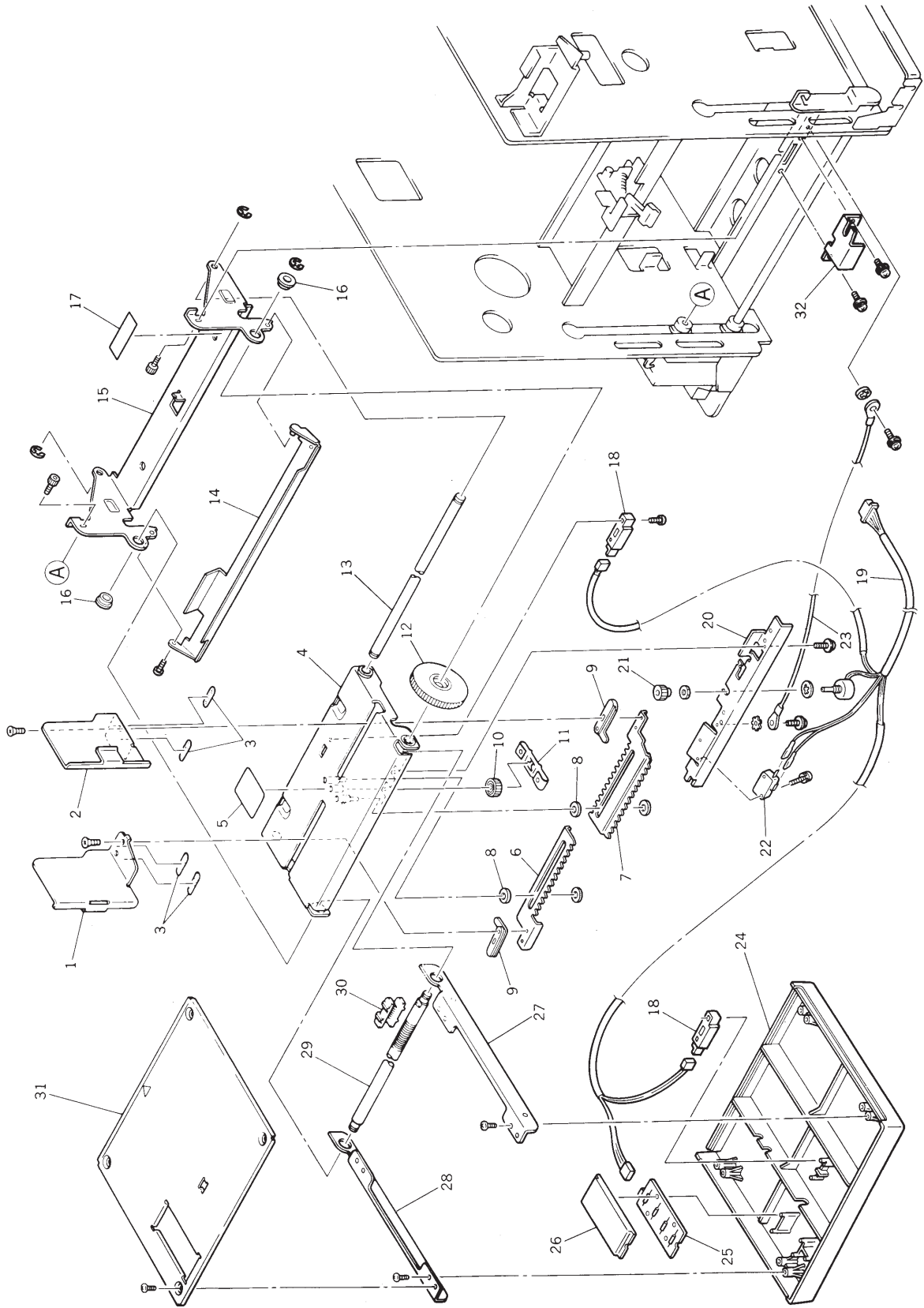
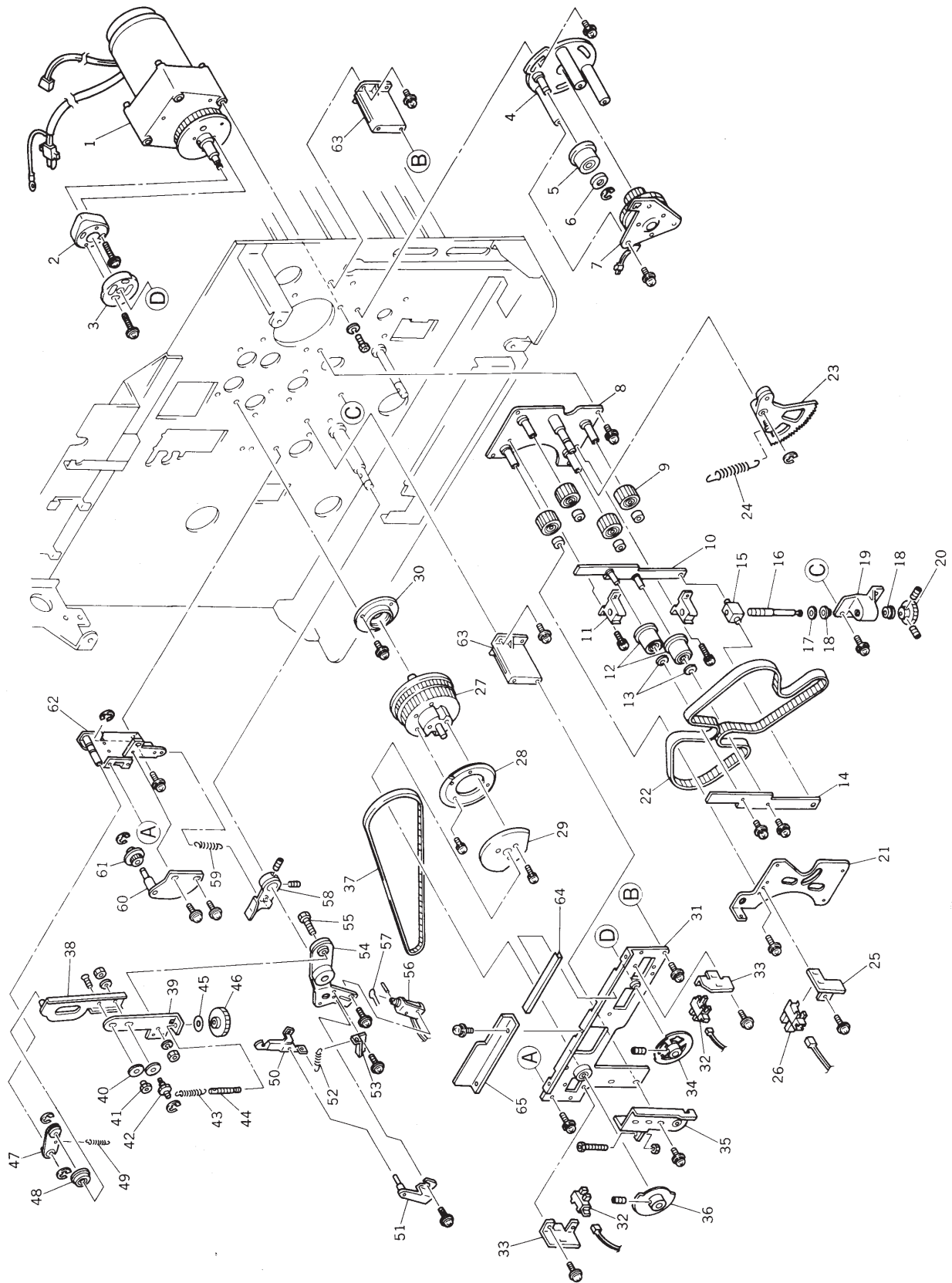


FIG. 6 DRIVE MECHANISM AREA (RA4050)

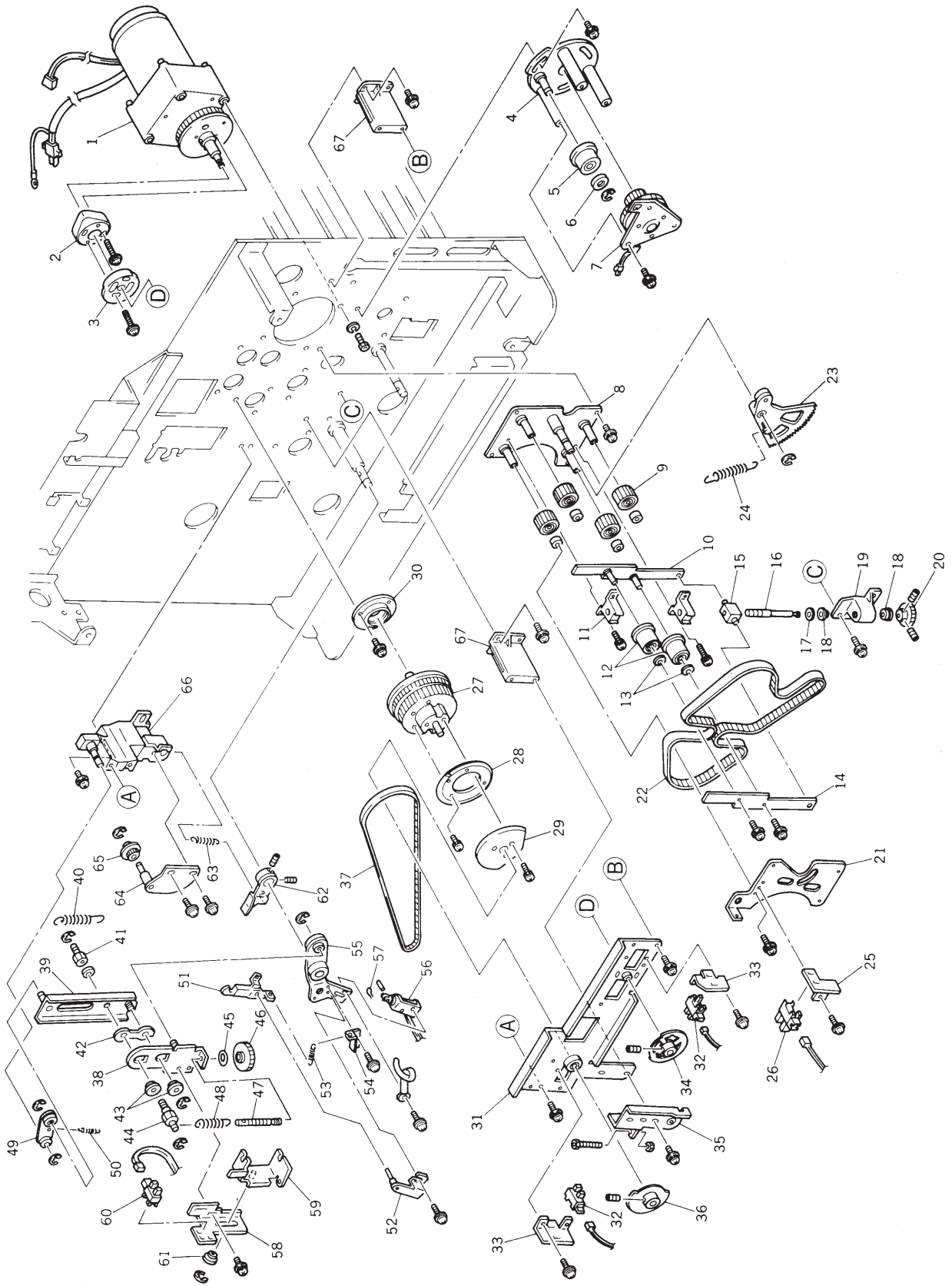


No.	Part No.	Part Name	Q'ty	Remark
	017-91211-103	Unit/Main Motor; T		
1	017-91216-105	*Main Motor Ass'y; T	1	
	011-60027-106	**Photoelectron Disc.	1	
	017-60031-000	**Encoder Sensor	1	
2	002-11220-007	*Cam; Guide Roller	1	
3	011-11240-309	*Cam; Timing Roller	1	
	014-91220-003	Unit/Drive		
	011-91222-004	*Clutch Base Ass'y		
4	011-11204-000	**Base Plate; P. -F. Clutch	1	
5	002-11242-000	**Idler	1	
6	002-11227-001	**Spacer; Slide Plate	1	
7	011-11201-109	*Unit/P. -F. Clutch	1	
8	011-11208-006	*Base Shaft Plate; Slide Plate	1	
9	002-11244-003	*Idler Pulley	4	
10	006-11222-009	*Slide Plate (Base)	1	
11	002-11225-009	*Support Block; Slide Plate	2	
12	002-11242-000	*Idler	2	
13	002-11227-001	*Spacer; Slide Plate	2	
14	006-11224-109	*Slide Plate (Front)	1	
15	011-11231-008	*Shaft Block; Slide Plate	1	
16	011-11230-001	*Shaft; Slide Plate	1	
17	638-90616-005	*Washer; 6.1 x 12 x 1.6	1	
18	607-13000-003	*Metal; F6 x 10/9 x 4; 12 x 1.5	2	
19	011-11220-006	*Shaft Base Block; Slide Plate	1	
20	011-11232-004	*Gear; Slide Plate	1	
21	011-11227-000	*Reinforce Plate; Slide Plate	1	
22	620-48309-009	*Belt; 830-5M-15	1	
23	002-11291-109	*Sector Gear	1	
24	011-11296-002	Spring; Sector Gear	1	
25	017-11201-102	Bracket A; Sensor	1	
26	443-30003-003	Sensor; LG-203D	1	
	011-91225-100	Main Shaft Ass'y; B4		
27	011-91227-006	*Main Pulley; Main Shaft	1	
28	011-11238-002	*Disc Plate; Main Shaft	1	
29	011-11258-003	*Cam; Pressure Roller; B4	1	

No.	Part No.	Part Name	Q'ty	Remark
	011-91226-000	Main Shaft Ass'y; A4		
27	011-91227-006	*Main Pulley; Main Shaft	1	
28	011-11238-002	*Disc Plate; Main Shaft	1	
29	011-11257-007	*Cam; Pressure Roller; A4	1	
30	006-11216-009	Bearing House A; Main Shaft	1	
31	011-11249-403	Face Plate; Main Shaft	1	
32	443-30003-003	Sensor; LG-203D	1	
33	017-11202-001	Bracket B; Sensor	1	
34	011-11235-003	P Disc	1	
35	017-91235-002	Face Plate; Pressure Shaft	1	
36	011-11255-004	Pressure Sensor Disc	1	
37	620-37506-007	Belt; 750-3M-6	1	
	014-91230-009	Pressure Link Ass'y		
38	002-11247-100	*Pressure Link; Top	1	
39	011-11241-100	*Pressure Link; Bottom	1	
40	204-03310-019	*Spacer; Paper Feed Clutch	2	
41	002-11250-100	*Stopper Shaft	1	
42	002-11251-204	*Spring Hanger Shaft	1	
43	014-11204-002	*Spring II; Pressure Link	1	
44	014-11205-009	*Pressure Adj. Screw II	1	
45	607-70815-005	*Washer; R-WAS8399H	1	
46	011-11245-009	*Gear; Pressure Adj. Screw	1	
47	002-11255-013	*Linking Plate; Drive Base	1	
48	600-50061-003	*Bearing; FL608ZZ	1	
49	002-11303-000	*Spring B; Pressure Link	1	
50	011-11276-206	*Hook Lever	1	
51	011-11270-003	*Shaft; Hook Lever	1	
52	002-11304-103	*Spring; Hook Lever	1	
53	011-11289-006	*Bracket; Hook Lever Spring	1	
54	011-11280-009	*Pressure Hook	1	
55	002-11259-108	*Connecting Shaft; Link	1	
56	011-91245-004	Pressure Solenoid Ass'y	1	
57	638-80801-009	*Ring Washer; 8.2 x 10.2 x 1	1	
58	011-11284-209	Pressure Lever	1	
59	002-11303-000	Spring B; Pressure Link	1	

MEMO

FIG. 7 DRIVE MECHANISM AREA (RA4200, RA4300, RA4900, RA5900)



No.	Part No.	Part Name	Q'ty	Remark
	017-91211-103	Unit/Main Motor; T		
1	017-91216-105	*Main Motor Ass'y; T	1	
	011-60027-106	**Photoelectron Disc.	1	
	017-60031-000	**Encoder Sensor	1	
2	002-11220-007	*Cam; Guide Roller	1	
3	011-11240-309	*Cam; Timing Roller	1	
	014-91220-003	Unit/Drive		
	011-91222-004	*Clutch Base Ass'y		
4	011-11204-000	**Base Plate; P. -F. Clutch	1	
5	002-11242-000	**Idler	1	
6	002-11227-001	**Spacer; Slide Plate	1	
7	011-11201-109	*Unit/P. -F Clutch	1	
8	011-11208-006	*Base Shaft Plate; Slide Plate	1	
9	002-11244-003	*Idler Pulley	4	
10	006-11222-009	*Slide Plate (Base)	1	
11	002-11225-009	*Support Block; Slide Plate	2	
12	002-11242-000	*Idler	2	
13	002-11227-001	*Spacer; Slide Plate	2	
14	006-11224-109	*Slide Plate (Front)	1	
15	011-11231-008	*Shaft Block; Slide Plate	1	
16	011-11230-001	*Shaft; Slide Plate	1	
17	638-90616-005	*Washer; 6.1 x 12 x 1.6	1	
18	607-13000-003	*Metal; F6 x 10/9 x 4; 12 x 1.5	2	
19	011-11220-006	*Shaft Base Block; Slide Plate	1	
20	011-11232-004	*Gear; Slide Plate	1	
21	011-11227-000	*Reinforce Plate; Slide Plate	1	
22	620-48309-009	*Belt; 830-5M-15	1	
23	002-11291-109	*Sector Gear	1	
24	011-11296-002	Spring; Sector Gear	1	
25	017-11201-102	Bracket A; Sensor	1	
26	443-30003-003	Sensor; LG-203D	1	
	017-91225-007	Main Shaft Ass'y; B4		
27	011-91227-006	*Main Pulley; Main Shaft	1	
28	011-11238-002	*Disc Plate; Main Shaft	1	
29	017-11237-000	*Cam; Pressure Roller; B4	1	

No.	Part No.	Part Name	Q'ty	Remark
	017-91226-003	Main Shaft Ass'y; A4		
27	011-91227-006	*Main Pulley; Main Shaft	1	
28	011-11238-002	*Disc Plate; Main Shaft	1	
29	017-11238-006	*Cam; Pressure Roller; A4	1	
30	006-11216-009	Bearing House A; Main Shaft	1	
31	017-11209-103	Face Plate; Main Shaft	1	
32	443-30003-003	Sensor; LG-203D	1	
33	017-11202-001	Bracket B; Sensor	1	
34	011-11235-003	P Disc	1	
35	017-91235-002	Face Plate; Pressure Shaft	1	
36	011-11255-004	Pressure Sensor Disc	1	
37	620-37506-007	Belt; 750-3M-6	1	
	017-91230-000	Pressure Link Ass'y		
38	017-11215-006	*Pressure Link; Bottom	1	
39	017-11214-000	*Pressure Link; Top	1	
40	017-11226-008	*Spring B; Pressure Link	1	
41	017-11217-009	*Link Boss B	1	
42	017-11224-005	*Link Spacer	1	
43	607-15002-003	*Metal; F8 x 12 x 5; 16 x 2	2	
44	017-11216-002	*Link Boss A	1	
45	607-50800-109	*Washer; TW0815	1	
46	011-11245-009	*Gear; Pressure Adj. Screw	1	
47	017-11227-004	*Pressure Adj. Screw	1	
48	017-11225-001	*Spring; Pressure Link	1	
49	017-11223-009	*Linking Plate; Drive Base	1	
50	017-11234-000	*Spring; Linking Plate	1	
51	011-11276-206	*Hook Lever	1	
52	011-11270-003	*Shaft; Hook Lever	1	
53	002-11304-103	*Spring; Hook Lever	1	
54	011-11289-006	*Bracket; Hook Lever Spring	1	
55	011-11280-009	*Pressure Hook	1	
56	011-91245-004	*Pressure Solenoid Ass'y	1	
57	638-80801-009	**Ring Washer; 8.2 x 10.2 x 1	1	
	017-91206-002	Pressure Det. Ass'y		
58	017-11231-001	*Bracket A; Pressure Control	1	

MEMO

FIG. 8 ROLLER SYSTEM AREA

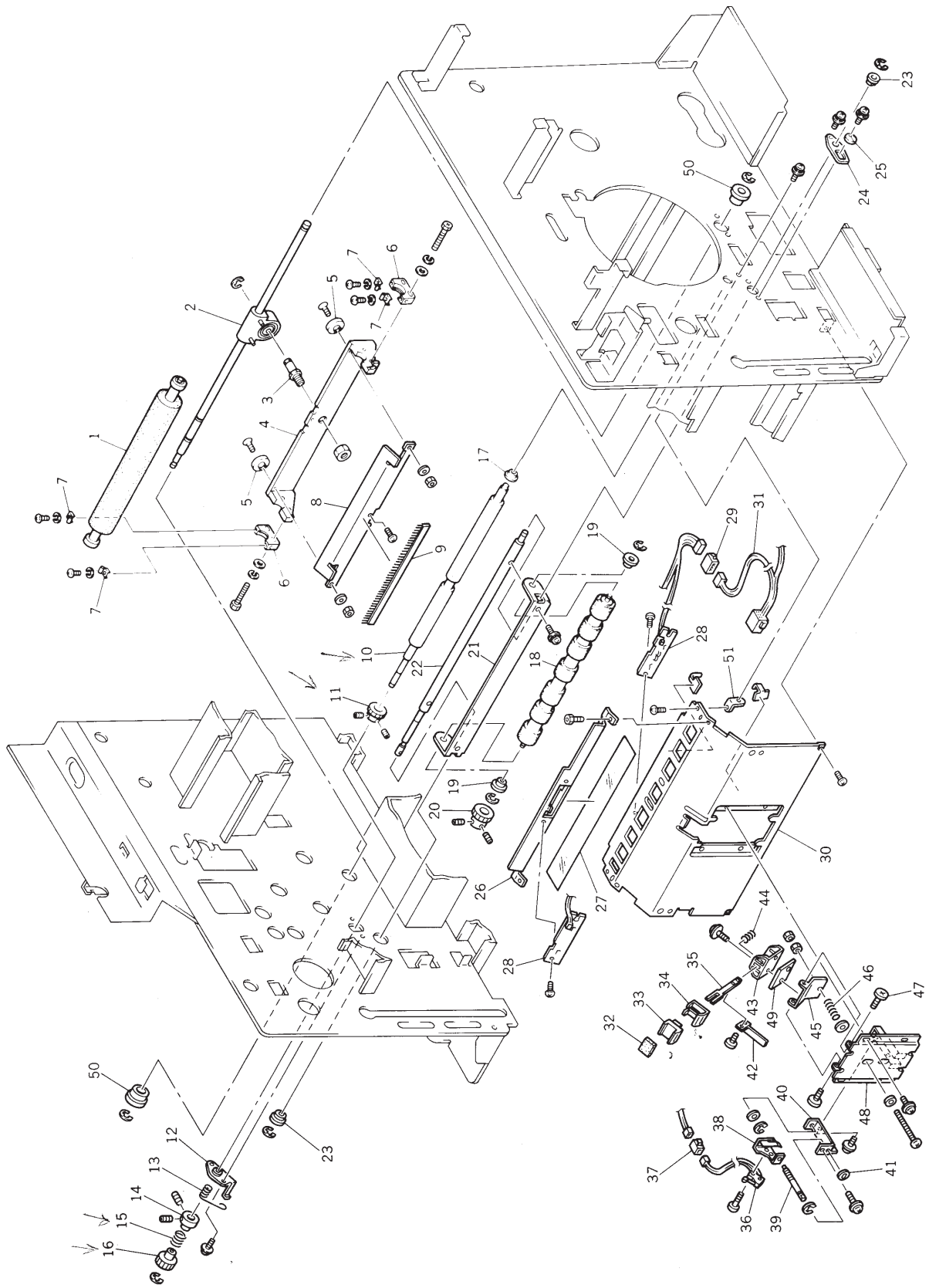
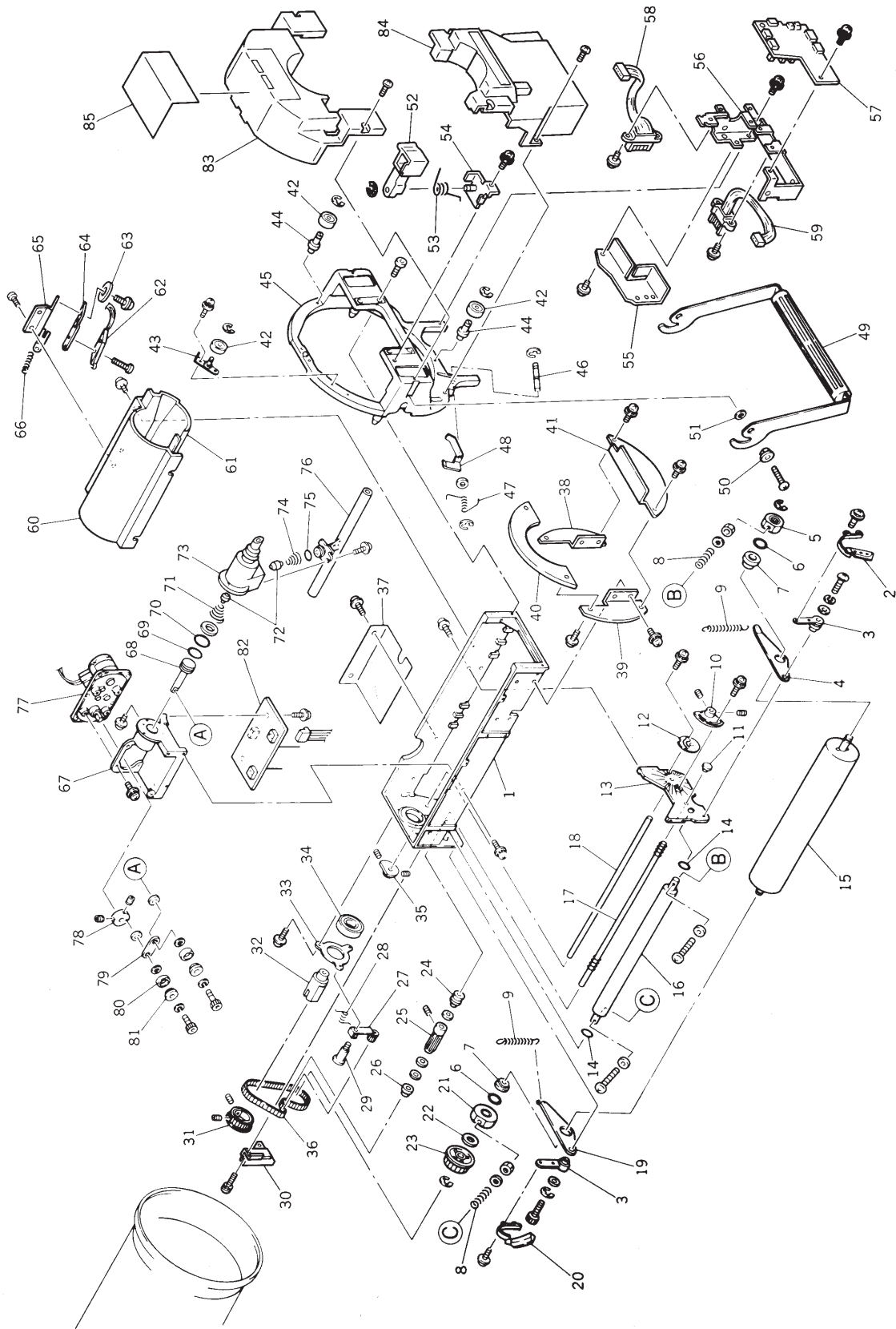


FIG. 9 SQUEEGEE-INK PUMP UNIT AREA



No.	Part No.	Part Name	Q'ty	Remark
	017-92210-003	Unit/Squeegee		
1	011-12204-101	*Squeegee Stay	1	
2	000-02254-506	*Ink Blocking Plate (Front)	1	
3	002-12219-002	*Adj. Boss; Ink Blocking	2	
4	002-12208-000	*Adj. Plate (Front); Squeegee	1	
5	014-12227-103	*Reverse Rotation Stopper A II	1	
6	640-60080-001	*O Ring; P8-1.9	2	
7	607-16000-900	*Metal; F10 x 16 x 6; 19 x 2; 14.5 x 1	2	
8	000-02211-009	*Spring; Squeegee Gap	2	
9	002-12234-001	*Spring; Adj. Plate (Front)	2	
10	002-12213-101	*Sector Adjustor; Squeegee	1	
11	002-12240-001	*Shaft Catch; Drive; Squeegee	1	
12	002-12209-007	*Adj. Collar A; Squeegee	1	
13	011-12211-205	*Side Frame; Squeegee	1	
14	640-60140-012	*O Ring; P14-2.4	2	
15	002-12201-308	*Squeegee Roller	1	
16	002-12205-001	*Doctor Roller	1	
17	011-12156-000	*Drive Shaft II; Squeegee	1	
18	002-12216-100	*Adj. Shaft; Squeegee	1	
19	002-12237-000	*Adj. Plate (Back); Squeegee	1	
20	000-02255-502	*Ink Blocking Plate (Back)	1	
21	002-12218-006	*Reverse Rotation Stopper B	1	
22	638-90000-020	*Washer; 18 x 10.2 x 0.2	1	
23	002-12222-003	*Pulley; Squeegee Roller	1	
24	640-70030-100	*V Ring; VRY2.7 x 3.5 x 4.1	1	
25	002-12238-104	*Axis; Drive Shaft; Squeegee	1	
26	607-10000-010	*Metal; F3 x 5 x 3; 8 x 1.4	1	
27	002-12229-105	*Tensioner; Squeegee	1	
28	002-12233-005	*Spring; Tensioner; Squeegee	1	
29	011-12221-006	*Fulcrum; Tensioner; Squeegee	1	
30	011-12241-007	*Shaft Support II; Squeegee	1	
	011-12206-104	*Ass'y; Shaft Joint	1	
31	002-12223-107	**Pulley; Main Shaft	1	
32		**Shaft Joint	1	
33		**Bearing Holder A; Squeegee	1	

No.	Part No.	Part Name	Q'ty	Remark
34		**Bearing; 6202ZZ	1	
35	002-12210-005	*Adj. Collar B; Squeegee	1	
36	620-21309-104	*Squeegee Belt; B130/65M x L9.5	1	
37	017-12215-000	PCB Cover; Drum	1	
38	011-12222-002	Bracket R; Drum Cover F	1	
39	011-12223-009	Bracket L; Drum Cover F	1	
40	011-12213-100	Drum Cover F (Upper)	1	
41	011-12220-107	Drum Cover F (Lower)	1	
	017-92300-002	Unit/Drum Frame		
42	000-01169-106	*Support Roller; Drum	3	
43	002-12410-004	*Adj. Plate; Support Roller	1	
44	002-12409-006	*Support Shaft; Support Roller	2	
45	017-12201-203	*Frame; Drum	1	
46	002-12414-000	*Shaft; Locking Plate; Drum	1	
47	011-12305-005	*Spring; Locking Plate; Drum	1	
48	017-12207-007	*Locking Plate; Drum	1	
49	017-12216-103	*Drum Lever	1	
50	002-12407-003	*Boss A; Drum Lever	2	
51	002-12418-102	*Spacer; Drum Lever	2	
52	014-12295-001	Lever; Bottle Stopper	1	
53	014-12297-004	Spring; Stopper Lever	1	
54	017-12211-004	Bracket; Stopper Lever	1	
55	017-12213-007	Inner Cover; Drum	1	
56	017-12204-008	Bracket; Drum Control PCB	1	
57	017-51020-305	Drum Control PCB	1	
58	017-55028-106	Wire Harness; Drum (R)	1	
59	017-55029-005	Wire Harness; Drum (L)	1	
	014-12216-101	Bottle Guide II Ass'y	1	
60	011-12208-000	*Bottle Guide (Over)	1	
61	014-12217-000	*Bottle Guide II (Base)	1	
62	017-60019-107	Bottle Set SW II	1	
63	011-12218-005	Boss; Bottle Set SW	1	
64	011-12217-009	Adj. Plate; Bottle SW	1	
65	011-12216-002	Bracket; Bottle SW	1	
66	011-12219-001	Spring; Bottle SW	1	

MEMO

FIG. 10 DRUM-SCREEN AREA

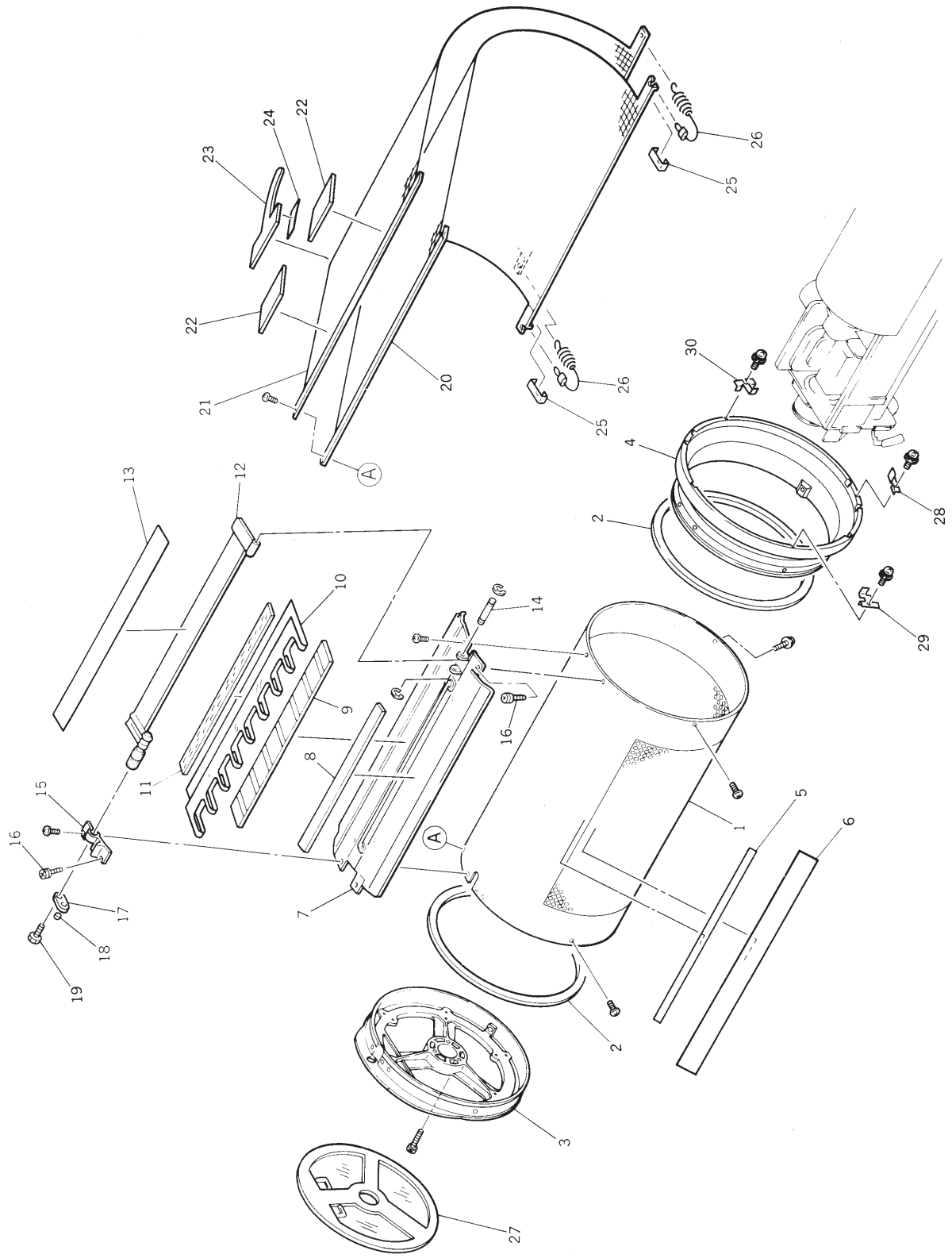


FIG. 11 LOCK LEVER AREA

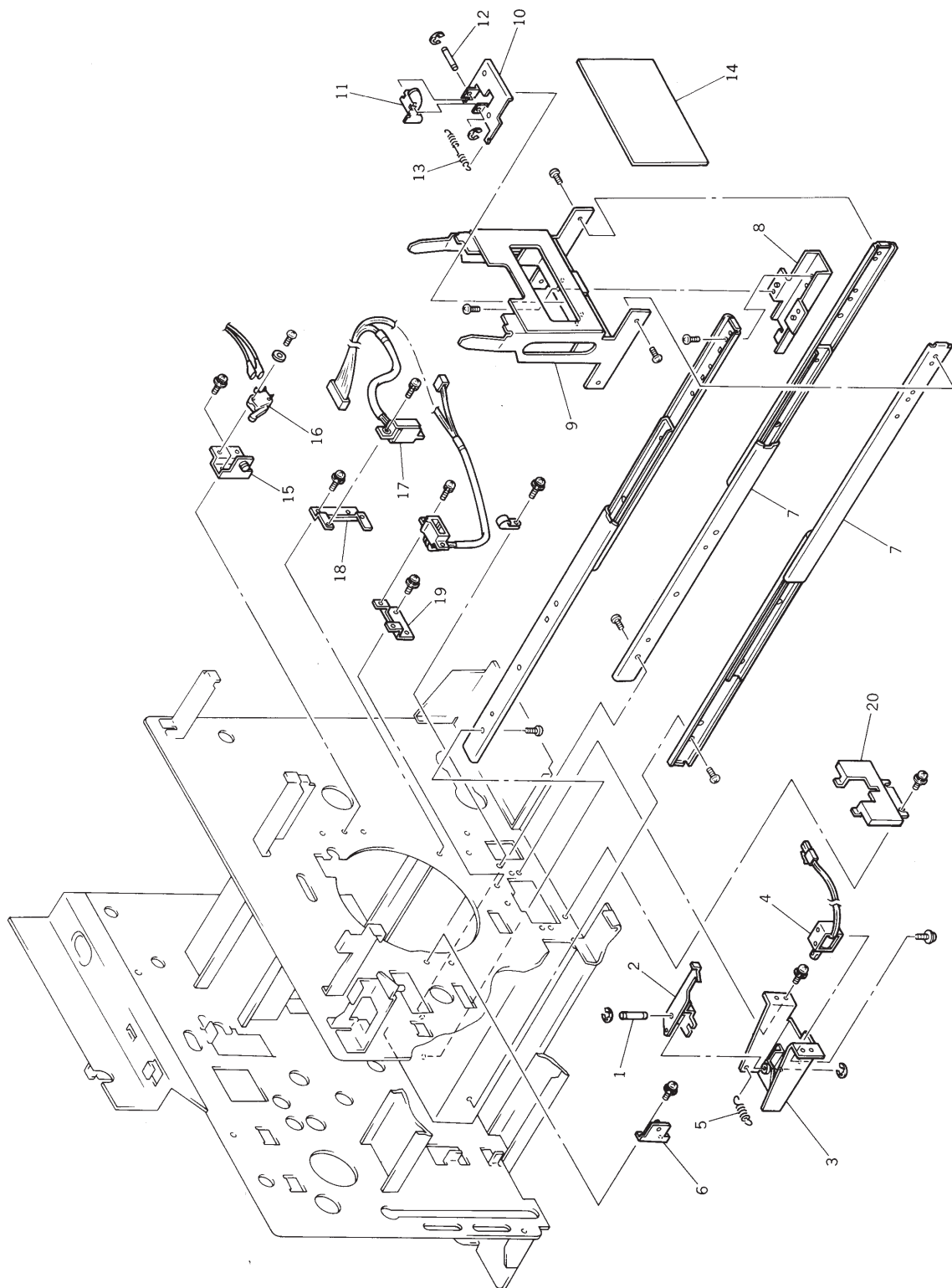


FIG. 12 CLAMP-PRESSURE CONTROL AREA

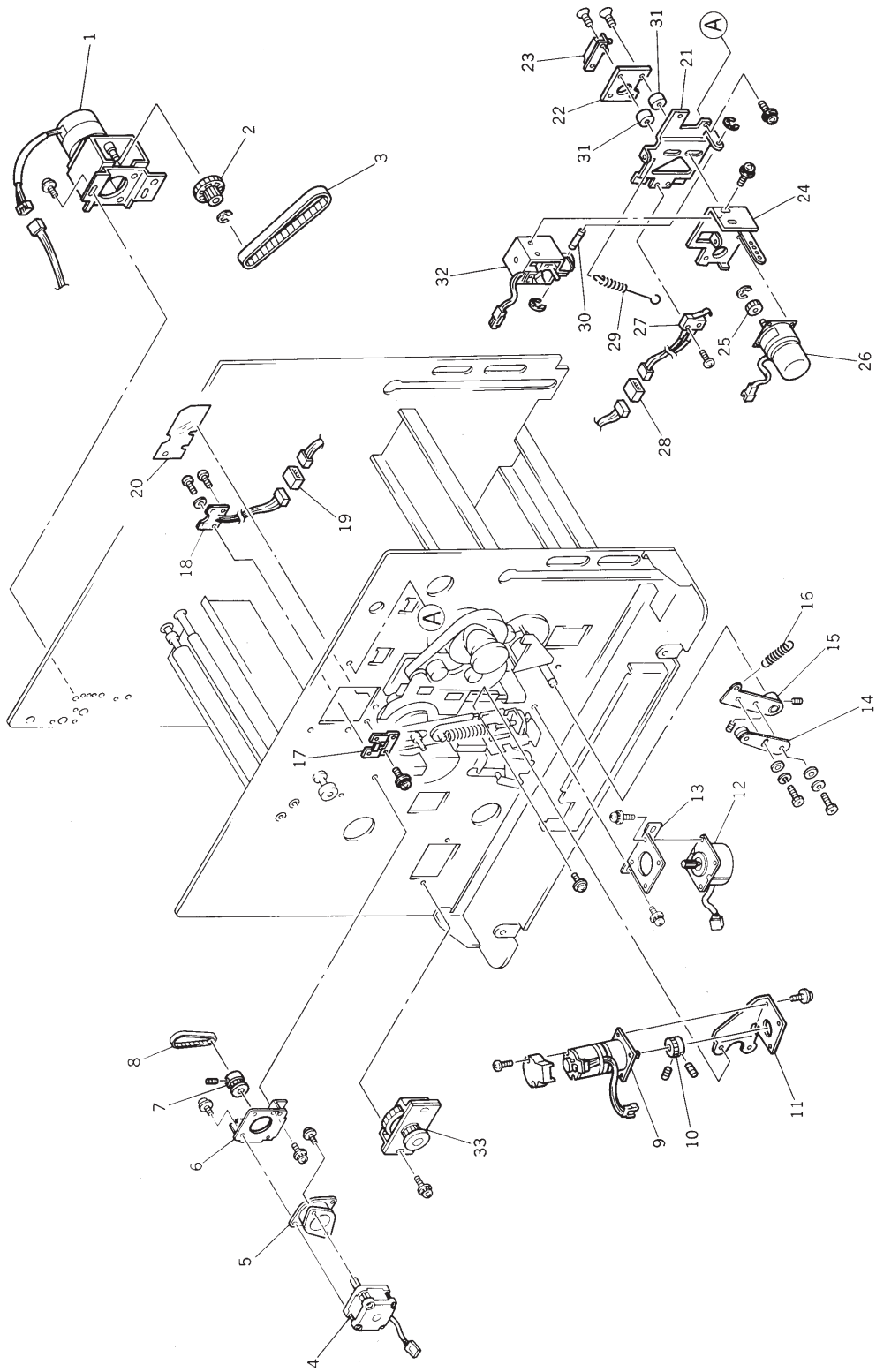


FIG.13 SEPARATOR AREA

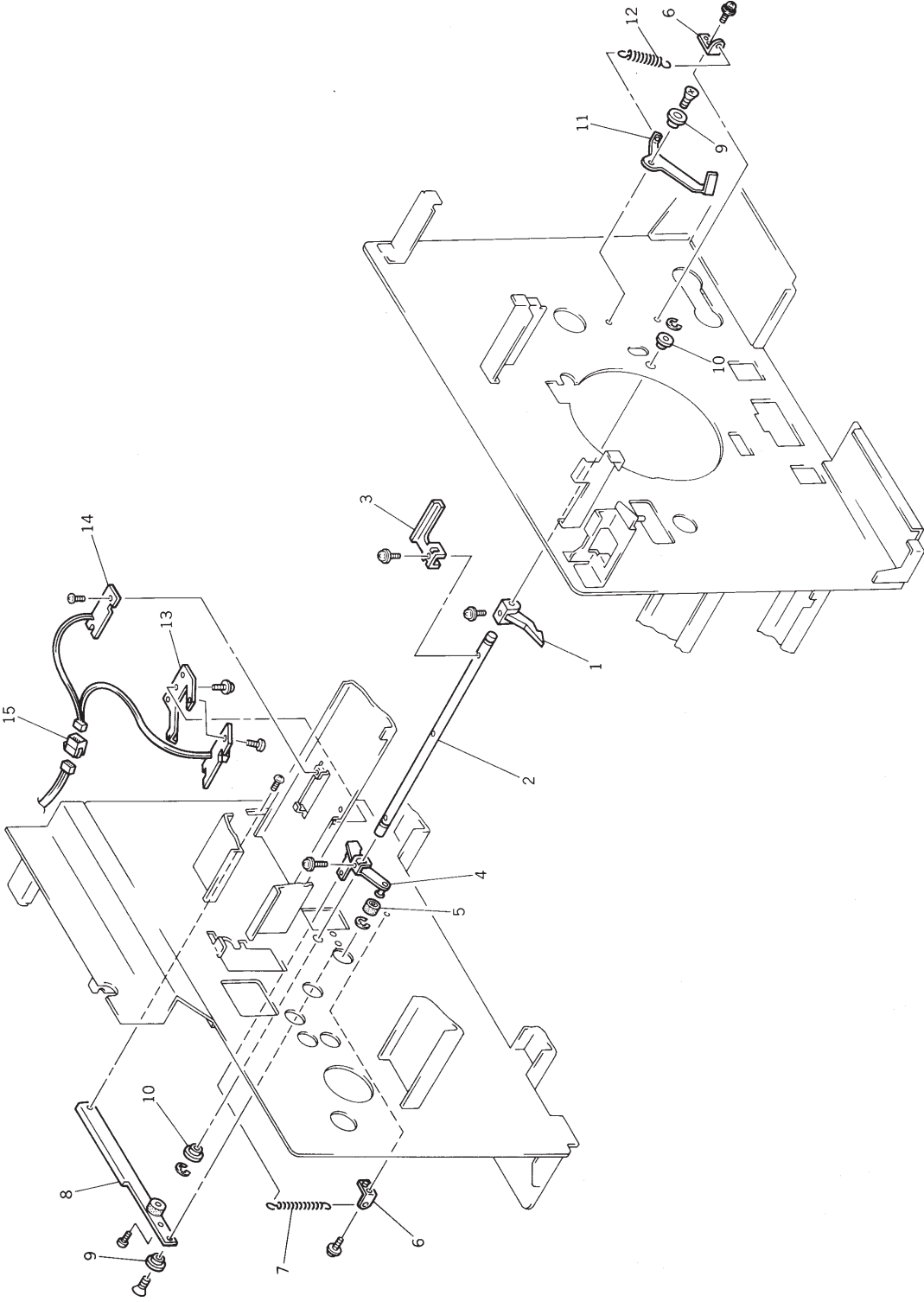


FIG. 14 SUCTION UNIT (RA4050, RA4200)

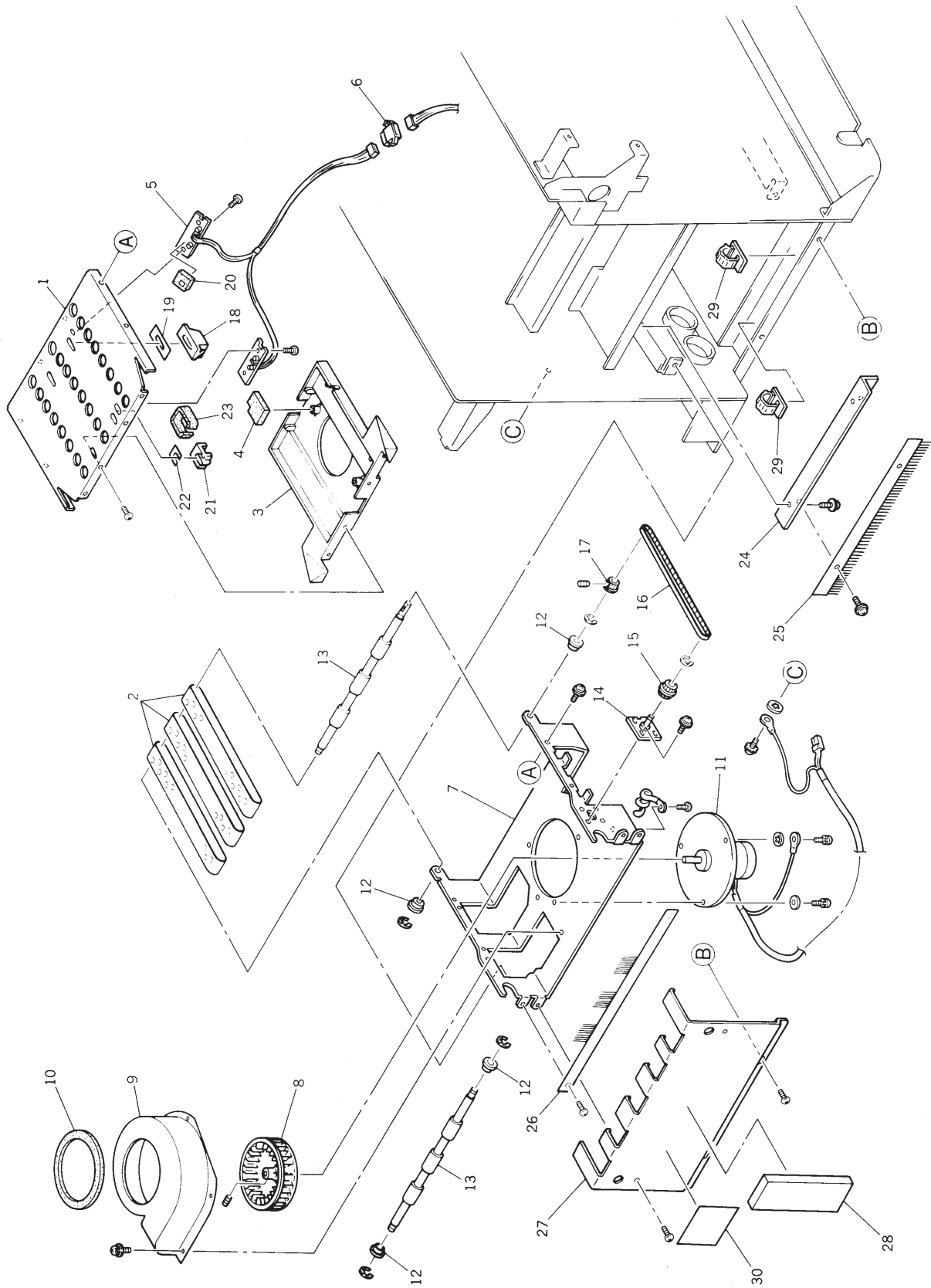
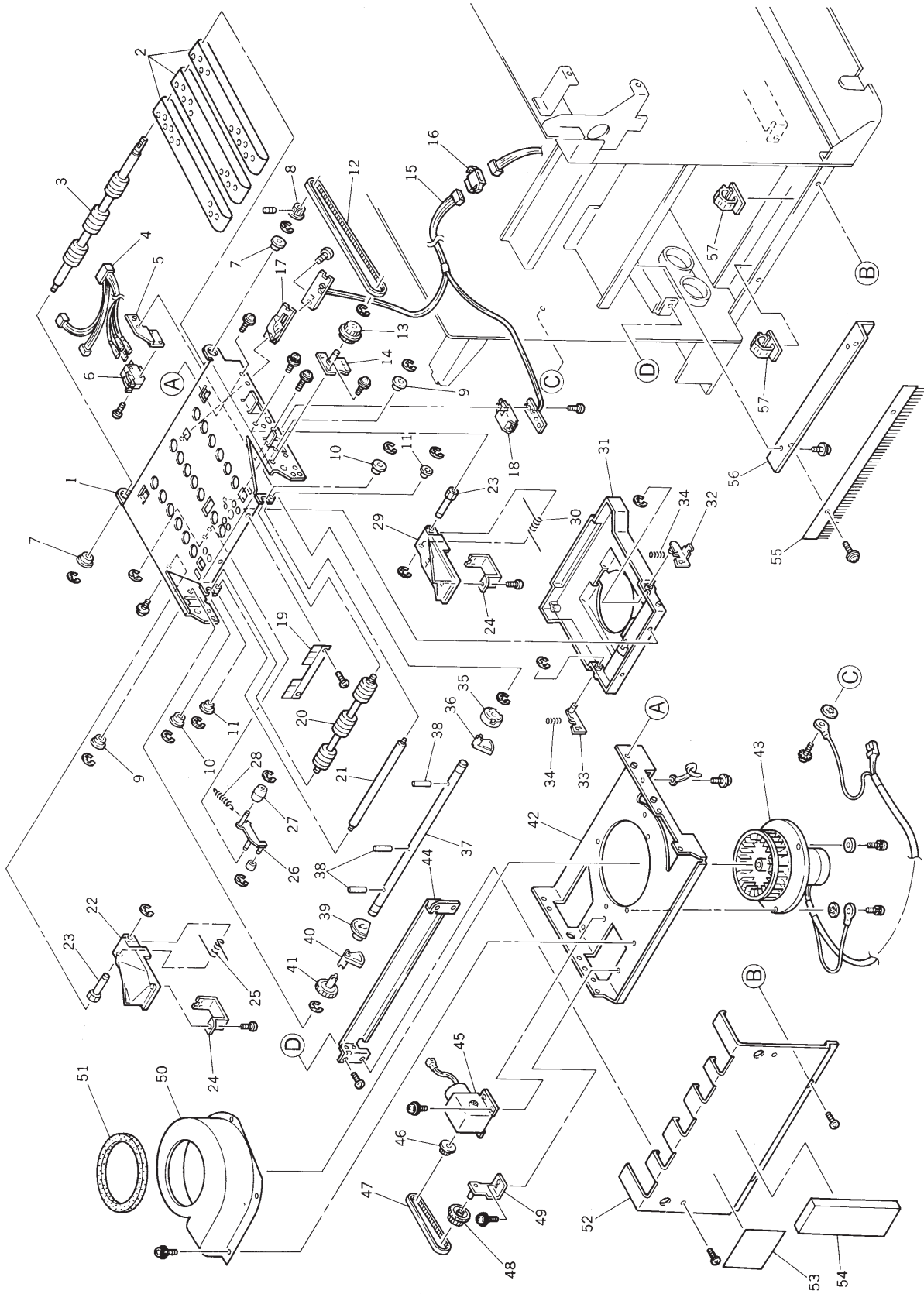


FIG. 15 SUCTION UNIT (RA4300, RA4900, RA5900)



No.	Part No.	Part Name	Part Name	Q'ty	Remark
35	017-13228-008	*SW Cam; Suction		1	
36	017-13226-102	*Wing Cam (R); Suction		1	
37	017-13222-107	*Shaft; Wing Cam; Suction		1	
38		Pin; $\phi 2 \times 8$		3	Ref. Pg. II-31
39	017-13225-106	*Roller Cam; Suction		1	
40	017-13224-207	*Wing Cam (F); Suction		1	
41	017-13223-006	*Cam Gear; Suction		1	
42	017-13232-005	*Bracket; Suction Fan		1	
43	017-93225-004	*Suction Fan Ass'y		1	
44	017-13240-008	*Stay; Suction		1	
45	017-65006-003	*Wing Motor; Suction		1	
46	017-13248-009	*Pulley; Wing Motor		1	
47	620-62256-007	*Belt; B60S3M225		1	
48	017-13246-006	*Wing Gear; Suction		1	
49	017-13242-000	*Shaft Plate; Wing Gear		1	
50	011-13206-205	*Suction Fan Cover		1	
51	017-13233-001	*Seal		1	
52	017-13250-003	Cover Plate W; Suction		1	
53	550-20584-008	Seal; P. -Rcv. -T. Pos.		1	
54	011-13134-000	Damper; Cover Plate; Suction		1	
	011-93230-004	De-electricity Brush Ass'y			
55	011-13225-102	*De-electricity Brush		1	
56	011-13224-106	*Bracket; De-electricity Brush; Suction		1	
57	665-02020-502	Clamp DKN-10		2	

No.	Part No.	Part Name	Part Name	Q'ty	Remark
	017-93201-008	Suction Unit W			
1	017-13201-207	*Face Cover W; Suction		1	
2	017-13249-200	*Transfer Belt		3	
3	017-13247-002	*Drive Shaft; Suction		1	
4	017-55036-001	*Wire Harness; Suction		1	
5	017-13229-101	*Adj. SW Plate; Suction		1	
6	443-00120-609	*Micro-SW; E21-91N		2	
7	600-50059-017	*Bearing; FLW688ZZ		2	
8	011-13204-008	*Pulley; Suction Motor		1	
9	607-13000-003	*Metal; F6 x 10/9 x 4:12 x 1.5		2	
10	600-50046-004	*Bearing; FLAWBC6-12ZZA		2	
11	607-11001-002	*Metal; F4 x 6 x 2.2; 8 x 1		2	
12	620-22364-001	*Belt; B236M x L-4.8		1	
13	002-13252-003	*Gear Pulley B; Suction		1	
14	017-13237-007	*Fulcrum Plate II; Gear Pulley; Suction		1	
15	017-60012-005	*Paper Receiving Sensor (Send)		1	
16		**Junction Connector; 4P		1	Ref. Pg. II-31
17	017-13220-007	*Cover; Paper Rev. Sensor 1		1	
18	017-13221-003	*Cover; Paper Rev. Sensor 2		1	
19	017-13251-000	*Brush; Suction		1	
20	017-13235-004	*Idler Shaft; Suction		1	
21	017-13236-108	*Belt Idler; Suction		1	
22	017-13206-004	*Jump Wing (F); Suction		1	
23	017-13205-008	*Shaft; Jump Wing		2	
24	017-13208-007	*Wing Plate; Suction		2	
25	017-13239-000	*Spring; Jump Wing (F)		1	
26	017-13211-008	*Shaft Plate; Belt Roller; Suction		1	
27	017-13216-000	*Belt Roller; Suction		1	
28	017-13210-001	*Spring; Belt Roller; Suction		1	
29	017-13207-000	*Jump Wing (R); Suction		1	
30	017-13241-004	*Spring; Jump Wing (R)		1	
31	017-13219-009	*Suction Cover W (Upper)		1	
32	017-13255-005	*Side Flap (R); Suction		1	
33	017-13252-006	*Side Flap (F); Suction		1	
34	017-13257-008	*Spring; Side Flap; Suction		2	

FIG. 16 PAPER RECEIVING TRAY

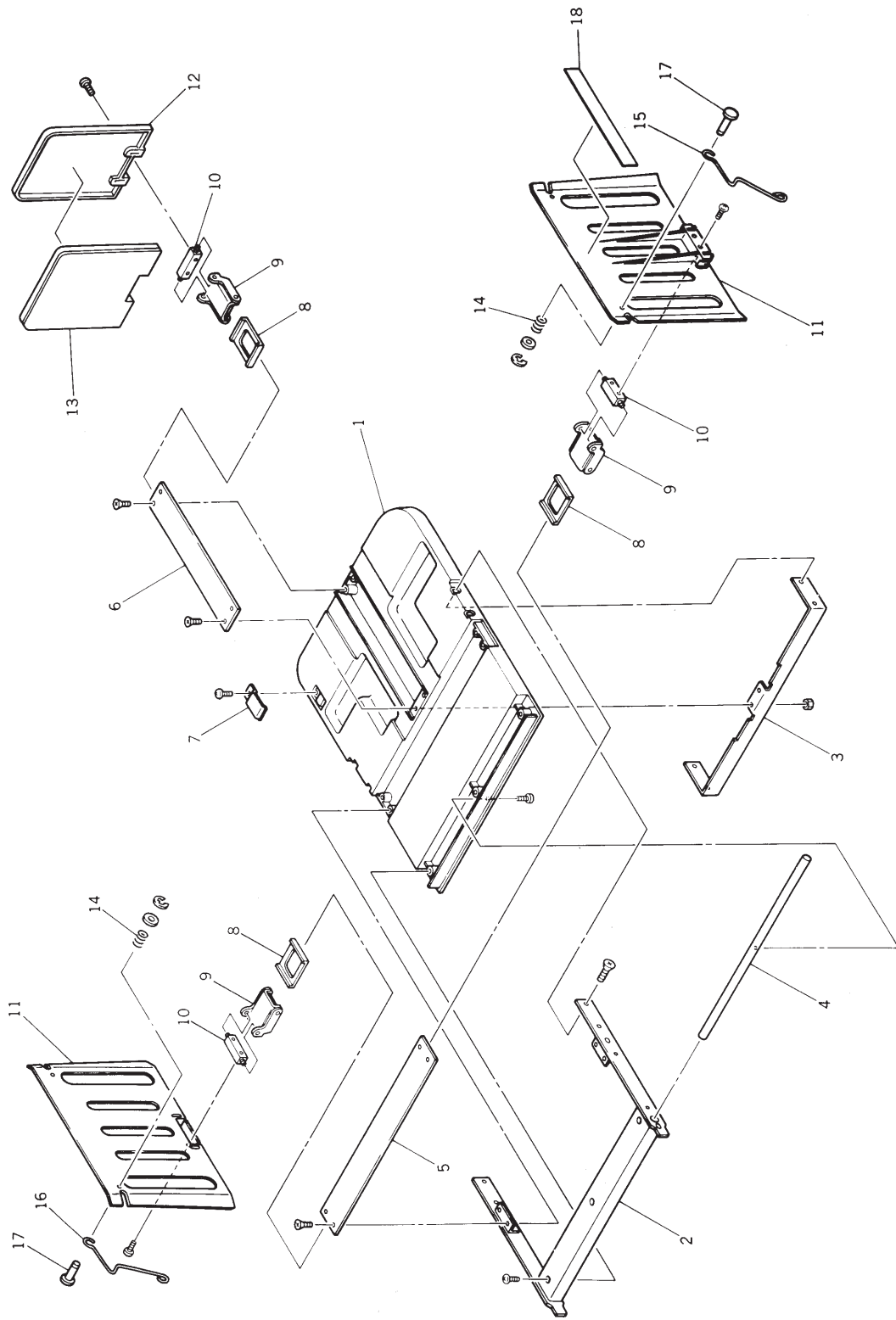


FIG. 18 ADF AREA (1) OLD TYPE (RA4050, RA4200, RA4900)

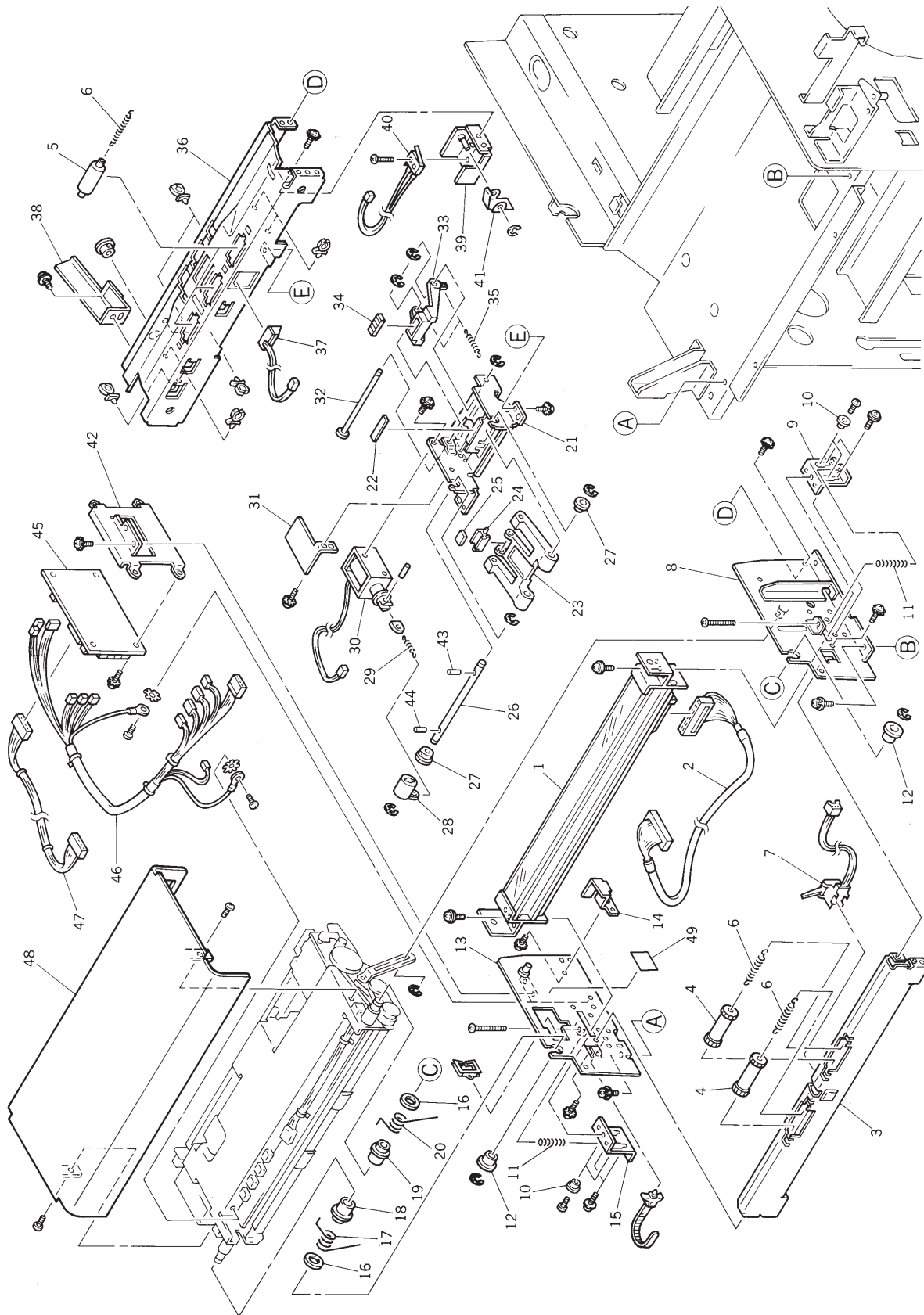


FIG. 19 ADF AREA (1) NEW TYPE (RA4050, RA4200, RA4900)

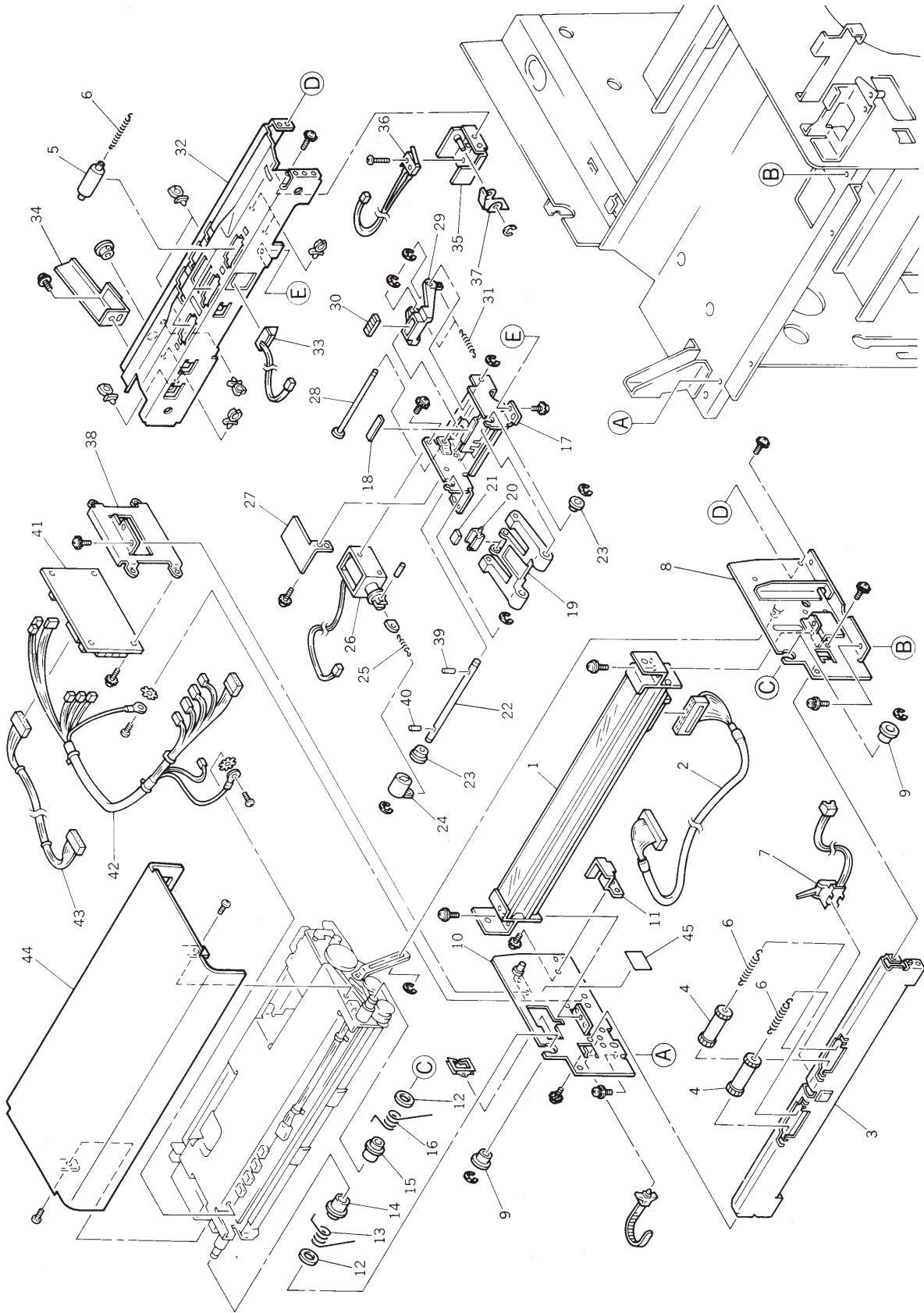


FIG. 20 ADF AREA (2) OLD TYPE (RA4050, RA4200, RA4900)

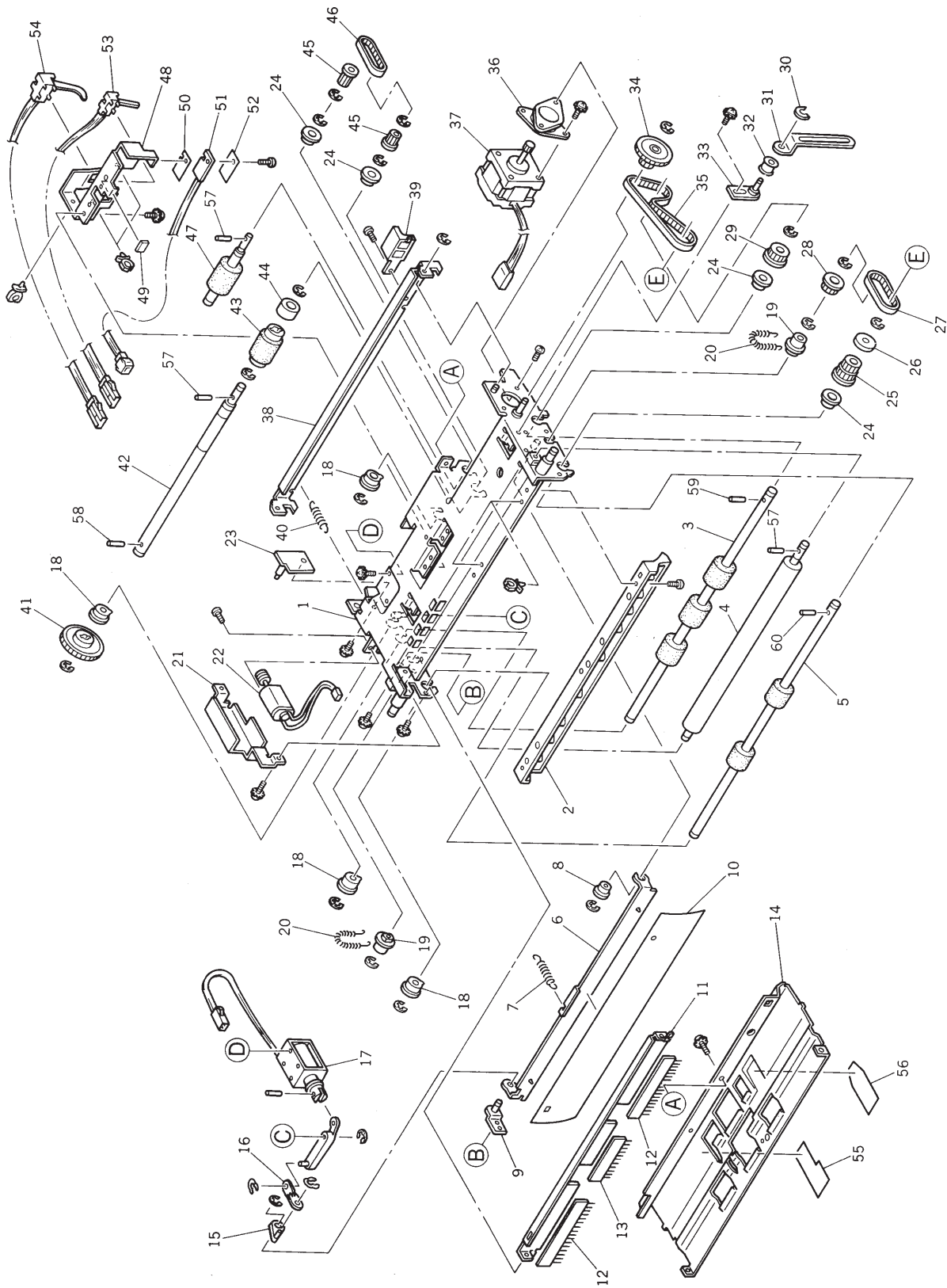


FIG. 21 ADF AREA (2) NEW TYPE (RA4050, RA4200, RA4900)

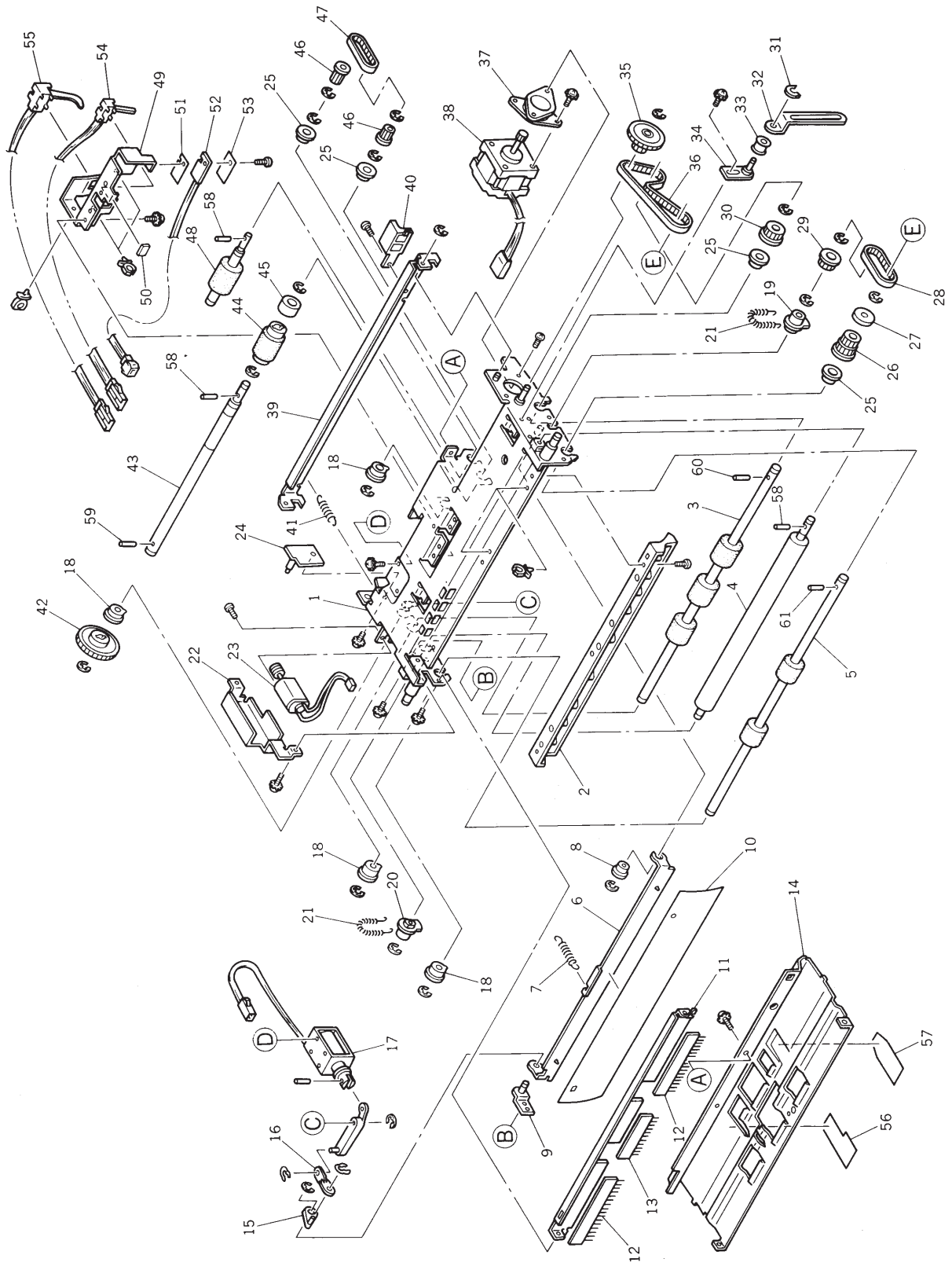


FIG. 22 ADF AREA (1) (RA4300, RA5900)

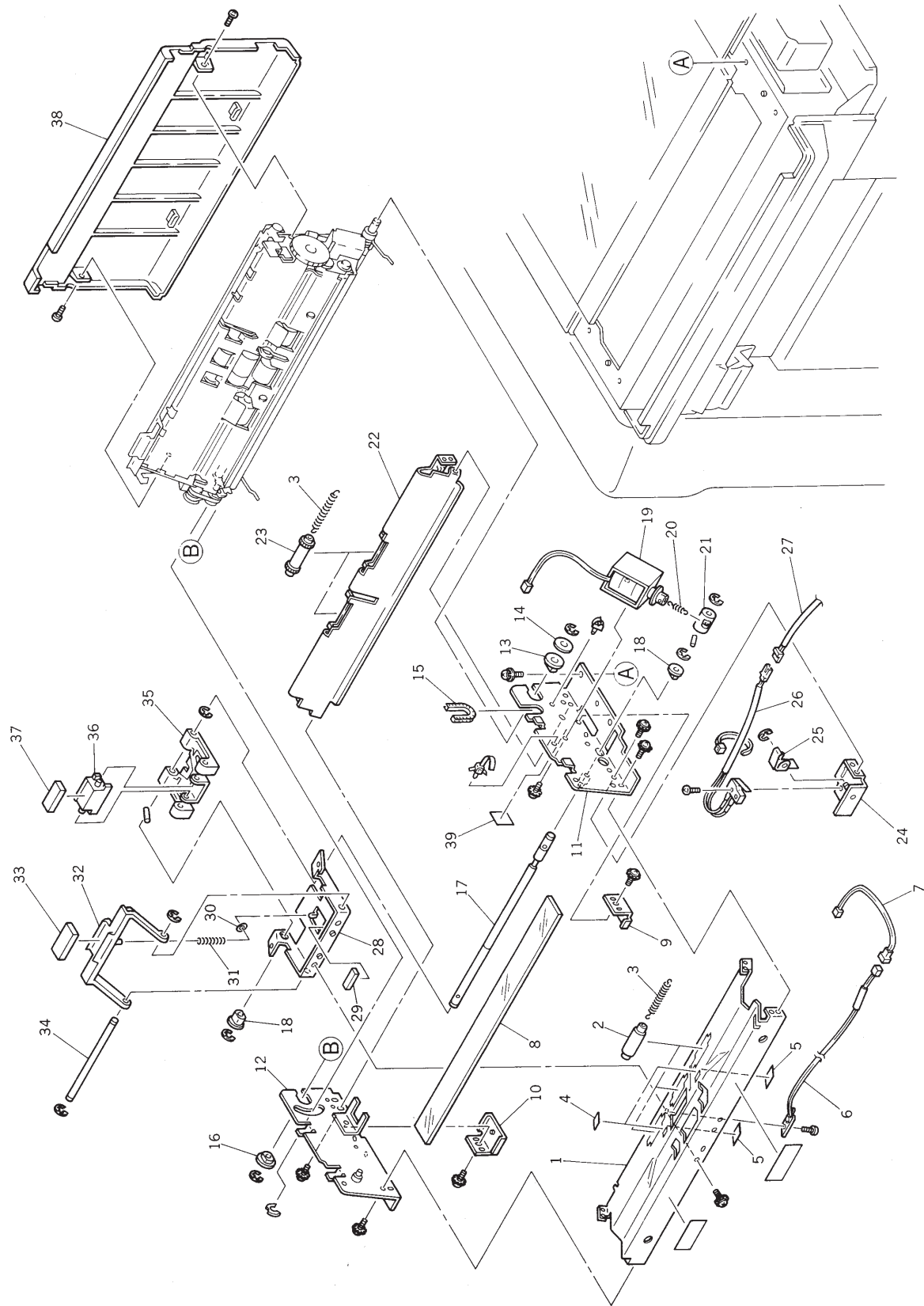
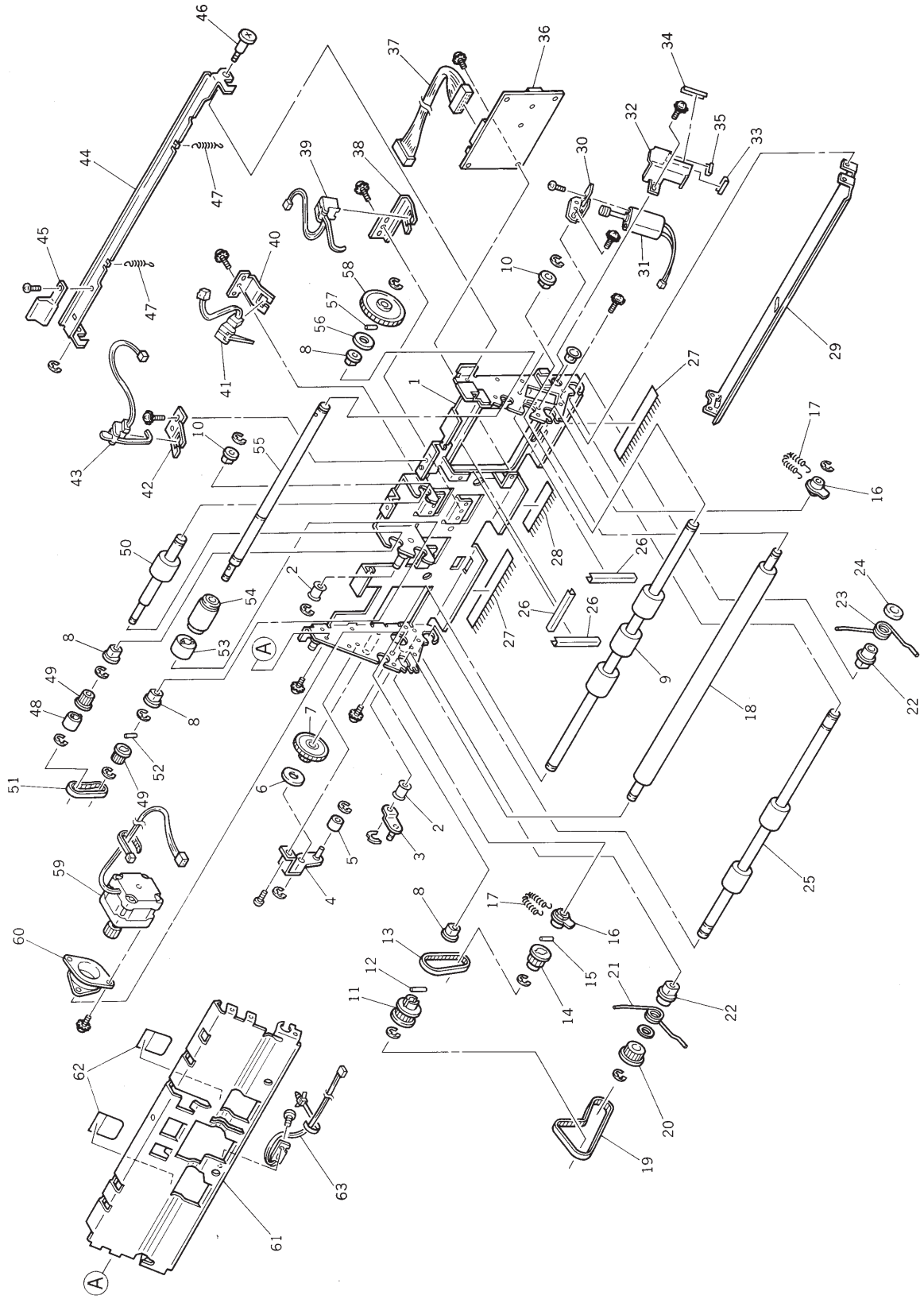


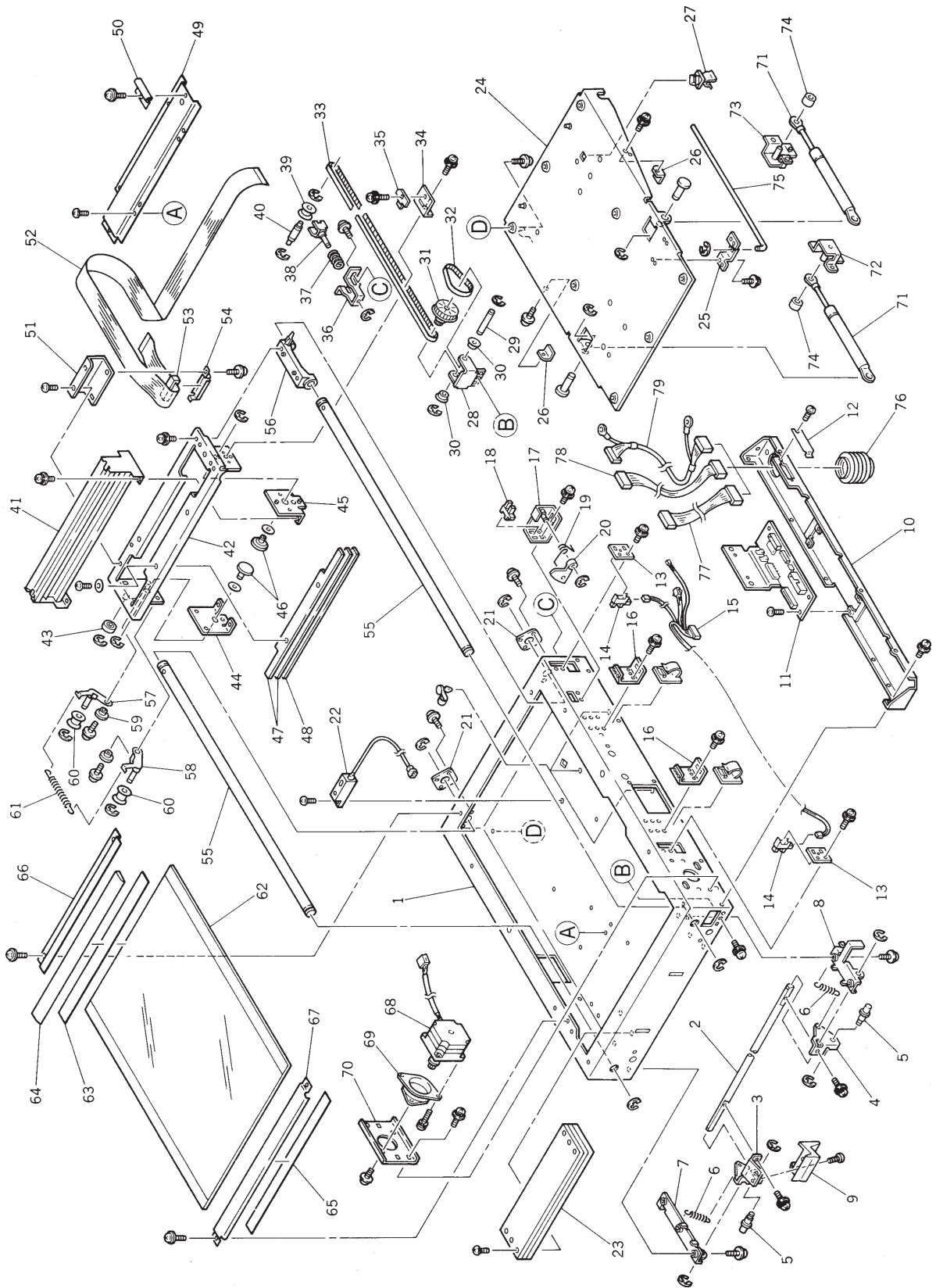
FIG. 23 ADF AREA (2) (RA4300, RA5900)



No.	Part No.	Part Name	Q'ty	Remark
		Unit/ADF; FB		
		*ADF AREA (1)		
1	018-16512-006	*Upper Frame; FB-ADF	1	
2	018-16543-009	*Tension Pulley A; FB-ADF	2	
3	018-16506-006	*Stopper Plate; FB-ADF	1	
4	018-16507-100	*Tension Plate; FB-ADF	1	
5	018-16510-003	*Tension Pulley B; FB-ADF	1	
6	018-16546-008	*Spacer; Main Gear; FB-ADF	1	
7	018-16503-007	*Main Gear; FB-ADF	1	
8	018-16548-000	*Metal; 8M	4	
9	018-16513-002	*Transfer Roller; FB-ADF	1	
10	018-16547-004	*Metal; 8P	2	
11	018-16542-100	*Pulley; Transfer Roller	1	
12		*Pin; $\phi 2 \times 14$	1	Ref. Pg. II-31
13	018-16572-009	*Belt B; 56	1	
14	018-16544-005	*Pulley; Read Roller	1	
15		*Pin; $\phi 2 \times 10$	1	Ref. Pg. II-31
16	018-16550-005	*Housing; Read Roller	2	
17	017-16562-006	*Spring; Read Roller	2	
18	018-16516-109	*Read Roller	1	
19	018-16585-003	*Belt; 118	1	
20	018-16545-001	*Exit Pulley; FB-ADF	1	
21	018-16559-002	*Spring L; FB-ADF	1	
22	018-16549-007	*Housing; Exit Roller	2	
23	018-16558-006	*Spring R; FB-ADF	1	
24	018-16552-008	*Spacer; Exit Roller	1	
25	018-16514-009	*Exit Roller (Upper); FB-ADF	1	
26	018-16577-000	*Bushings; FB-ADF	3	
27	018-16555-007	*De-electricity Brush A; FB-ADF	2	
28	017-16546-000	*De-electricity Brush B; ADF	1	
29	018-16521-005	*Guide Plate; FB-ADF	1	
30	018-16522-001	*Bracket; ADF Motor	1	
31	018-16561-007	*ADF Motor; FB	1	
32	018-16518-101	*Motor Cover; FB-ADF	1	
33	018-16582-004	*Bushings (2); ADF Motor	1	

No.	Part No.	Part Name	Q'ty	Remark
34	018-16581-008	*Bushing (1); ADF Motor	1	
35	018-16583-000	*Bushing (3); ADF Motor	1	
36	017-51000-100	*ADF PCB	1	
37	018-55003-003	*Wire Harness; ADF (FB)	1	
38	018-16537-009	*Bracket; Original Regist. Sensor	1	
39	018-16565-002	*Original Regist. Sensor	1	
40	018-16535-006	*Bracket; Original Out Sensor	1	
41	018-16566-009	*Original Out Sensor	1	
42	018-16536-002	*Bracket; Original Det. Sensor	1	
43	018-16564-006	*Original Det. Sensor	1	
44	018-16523-008	*Hook Plate; FB-ADF	1	
45	018-16532-007	*Open Lever; FB-ADF	1	
46	018-16504-003	*Stepped Screw; M4 x 13	1	
47	018-16556-003	*Spring; Open Lever	2	
48	018-16575-008	*Collar; Pickup Roller; FB-ADF	1	
49	017-16530-007	*Pulley A; ADF	2	
50	018-16540-000	*Pickup Roller (Upper); FB-ADF	1	
51	017-16588-005	*Belt; 44	1	
52		*Pin; $\phi 2 \times 10$	1	Ref. Pg. II-31
53	018-16541-006	*Collar; Stripper Roller	1	
54	017-16535-009	*Stripper Roller; ADF	1	
55	018-16539-001	*Shaft; Stripper Roller; FB-ADF	1	
56	018-16526-007	*Spacer; WHG	1	
57		*Pin; $\phi 2 \times 12$	1	Ref. Pg. II-31
58	017-16538-008	*Gear; ADF	1	
59	018-16563-000	*Read Pulse Motor; FB-ADF	1	
60	017-16595-001	*Mount; Read Pulse Motor	1	
61	018-16519-000	*Original Guide (F); FB-ADF	1	
62	018-16576-004	*Sheet Guide; FB-ADF	2	
63	018-16567-005	*Original IN Sensor (Send)	1	

FIG. 24 SCANNER AREA (RA4300, RA5900)

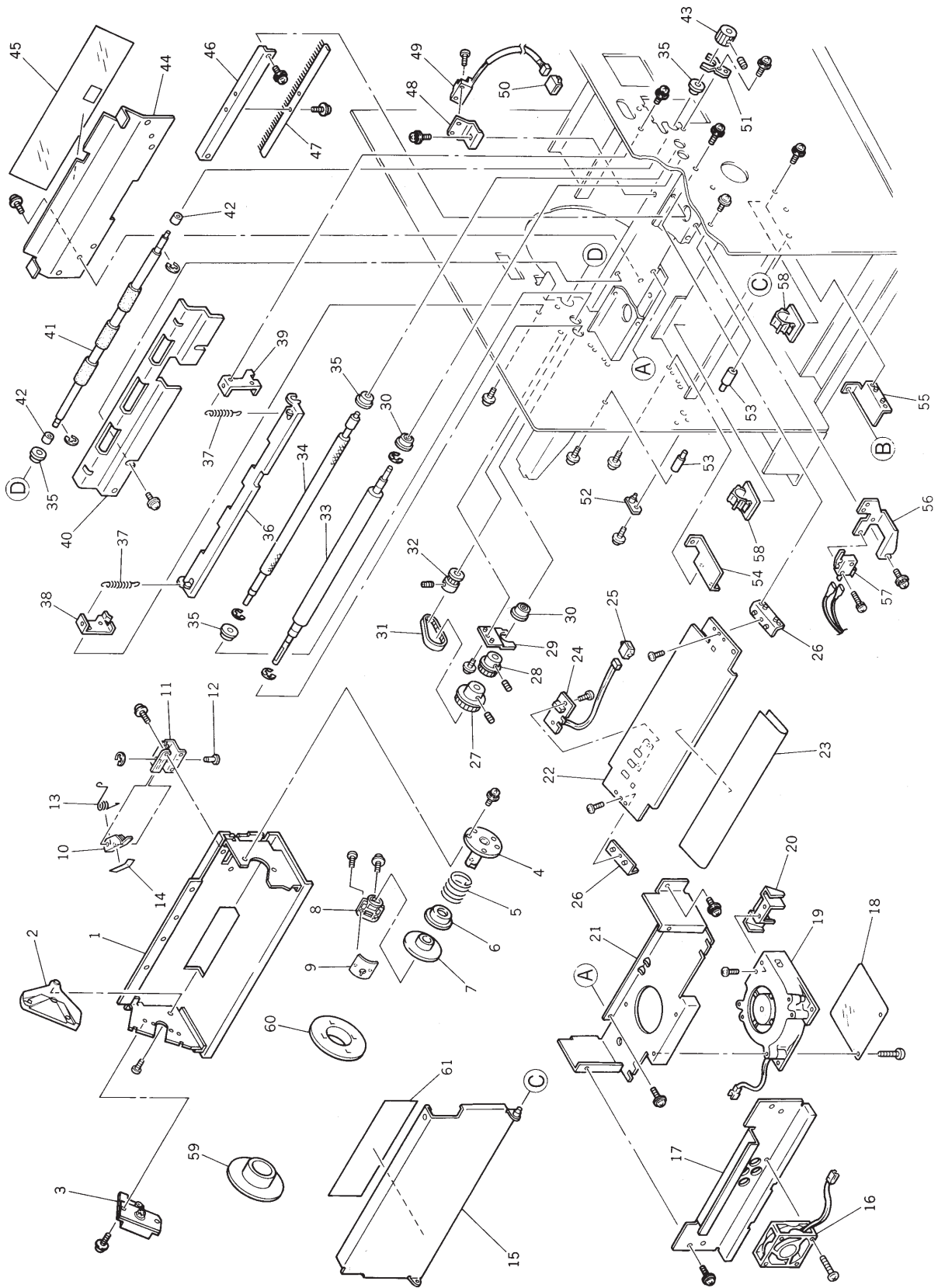


No.	Part No.	Part Name	Q'ty	Remark
	018-96040-053	Unit/Scanner; FB		
1	018-16050-304	*Main Frame; FB-Scanner	1	
	018-96085-006	*Ass'y/Hook Shaft; FB		
2	018-16217-004	**Hook Shaft; FB	1	
3	018-16220-005	**Hook Base (F); FB-Hook Shaft	1	
4	018-16222-008	**Hook Base (R); FB-Hook Shaft	1	
5	018-16218-000	**Shaft; Hook Base	2	
6	018-16223-004	**Spring; Hook Shaft	2	
7	018-16225-104	**Bracket (F); Hook Shaft	1	
8	018-16227-000	**Bracket (R); Hook Shaft	1	
9	018-16224-000	**Open Lever; Hook Shaft	1	
10	018-16060-105	*Back Frame; FB-Scanner	1	
11	018-96050-008	*Flat Bed PCB	1	
12	018-16064-003	*Blind Plate; FB-Back Frame	1	
13	018-16031-105	*Bracket; FB-Pos. Sensor	2	
14	443-30003-003	*Sensor K; LG-203D	2	
15	018-55001-108	*Wire Harness; FB	1	
16	018-16253-000	*Hinge Bracket; FB-Scanner	2	
17	018-16047-109	*Bracket; Stage Cover Sensor	1	
18	443-30003-003	*Sensor K; LG-203D	1	
19	018-16035-003	*Actuator Spring; Stage Cover Sensor	1	
20	018-16032-004	*Actuator; Stage Cover Sensor	1	
21	018-16037-006	*Adj. Plate; FB-Slide Shaft	2	
22	018-60000-004	*Original Det. Sensor; FB	1	
23	018-16255-003	*Balance Weight; FB	8	
24	018-16203-100	*Bottom Plate; FB-Scanner	1	
25	018-16215-001	*Support Shaft Holder; FB-Scanner	1	
26	018-16250-001	*Dampener Hook; FB-Scanner	2	
27	665-09002-003	*Shaft Keeper Lock; FB-Scanner	1	
28	018-16018-001	*Drive Pulley Holder; FB-Scanner	1	
29	018-16017-005	*Drive Pulley Shaft; FB-Scanner	1	
30	600-50046-004	*Bearing; FLAWBC6-12ZZA	2	
31	611-30090-000	*Pulley; P63/20-2M-6; HTD	1	
32	620-82006-007	*Belt; 106100 x 6 HTD	1	
33	620-89996-002	*Belt; 106614 x 6 HTD	1	

No.	Part No.	Part Name	Q'ty	Remark
34	018-16019-008	*Belt Stand Plate; FB-Scanner	1	
35	018-16020-006	*Belt Holder Plate; FB-Scanner	1	
36	018-16023-005	*Tension Holder; FB-Scanner	1	
37	018-16027-000	*Tension Spring; FB-Scanner	1	
38	018-16024-001	*Tension Plate; FB-Scanner	1	
39	611-01420-000	*Pulley; ϕ 14 x 8	1	
40	018-16022-009	*Tension Shaft; FB-Scanner	1	
41	018-60021-206	*Image Scanner; CIP SMA301	1	RA43
41	018-60022-202	*Image Scanner; CIP SMA401	1	RA59
42	018-16013-204	*Carriage; Image Scanner	1	
43	600-20049-009	*Bearing; 606ZZ	1	
44	018-16002-008	*Scanner Holder (F)	1	
45	018-16003-101	*Scanner Holder (R)	1	
46	018-16004-000	*Adj. Pin; Scanner Holder	2	
47	018-16069-102	*Carriage Weight (Upper)	2	
48	018-16068-106	*Carriage Weight (Lower)	1	
49	018-16043-006	*Cover Plate; Image Flexible Wire	1	
50	018-16044-002	*Ground Plate; FB-Scanner	1	
	018-96075-000	*Image Flexible Wire Ass'y		
51	018-16030-001	**Wire Stand; FB-Image	1	
52	018-55000-101	**Image Flexible Wire	1	
53	435-00018-004	**TDK Core; HF70SH40 x 1.3 x 8	1	
54	018-16045-009	**Core Holder	1	
55	018-16036-107	*Slide Shaft; FB-Scanner	2	
56	018-16001-206	*Slide Guide; FB-Scanner	1	
57	018-16006-003	*Arm (L); Carriage	1	
58	018-16009-002	*Arm (R); Carriage	1	
59	018-16011-007	*Boss; Carriage	1	
60	018-16005-007	*Guide Wheel; Carriage	2	
61	018-16012-003	*Arm Spring; Carriage	1	
62	018-16040-104	*Stage Glass	1	
63	018-16066-006	*Shading Plate (L)	1	
64	018-16042-107	*Original Stopper	1	
65	018-16067-002	*Shading Plate (R)	1	
66	018-16038-002	*Glass Holder (L)	1	

MEMO

FIG. 25 MASTER-MAKING AREA (1)



No.	Part No.	Part Name	Q'ty	Remark
	017-95240-000	Unit/Master Roll Holder II; B4		
	017-95241-007	Unit/Master Roll Holder II; A4		
1	017-15261-002	*Master Roll Holder II; B4	1	
1	017-15271-008	*Master Roll Holder II; A4	1	
2	017-15281-003	*Guide Holder D; Master Holder	1	
3	017-95250-006	*Damper Gear Ass'y	1	
	017-95245-002	*Guide Flange II Ass'y	1	
4	017-15274-104	**Shaft; Guide Flange II	1	
5	017-15273-000	**Spring; Guide Flange II	1	
6	017-15270-001	**Spring Holder; Guide Flange II	1	
7	017-15269-003	**Flange; Master Holder	1	
8	017-15266-004	**Guide Flange A II; Master Holder	1	
9	017-15265-008	**Guide Flange B II; Master Holder	1	
	017-95255-008	*Tension Ass'y; Master Holder	1	
10	017-15291-009	**Tension Plate; Master Holder	1	
11	017-15292-005	**Bracket; Tension Plate	1	
12	017-15293-001	**Shaft; Tension Plate	1	
13	017-15294-008	**Spring; Tension Plate	1	
14	017-15295-004	**Tension Sheet; Master Holder	1	
15	017-15217-003	Cover; Master Roll Holder	1	
	017-95095-000	Stocker Ass'y	1	
16	017-65011-007	*Loading Fan; Stocker	1	
17	017-15017-004	*Plate A; Stocker	1	
	017-93300-006	Separation Fan Ass'y		
18	017-13312-009	*Cover Sheet; Separation Fan	1	
19	017-65010-108	*Separation Fan	1	
20	017-13311-002	*Nozzle; Separation Fan	1	
21	017-15018-000	*Plate B; Stocker	1	
	017-95070-008	Set Guide Plate Ass'y; B4		
22	017-15120-000	*Set Guide Plate; B4	1	
23	011-15162-000	*Sheet; Master Guide Plate; M. -M.	1	
24	017-60014-105	*Master End Sensor (Send)	1	
25		**Junction Connector; 4P	1	Ref. Pg. II-31
22	017-95071-004	Set Guide Plate Ass'y; A4		
	017-15121-006	*Set Guide Plate; A4	1	

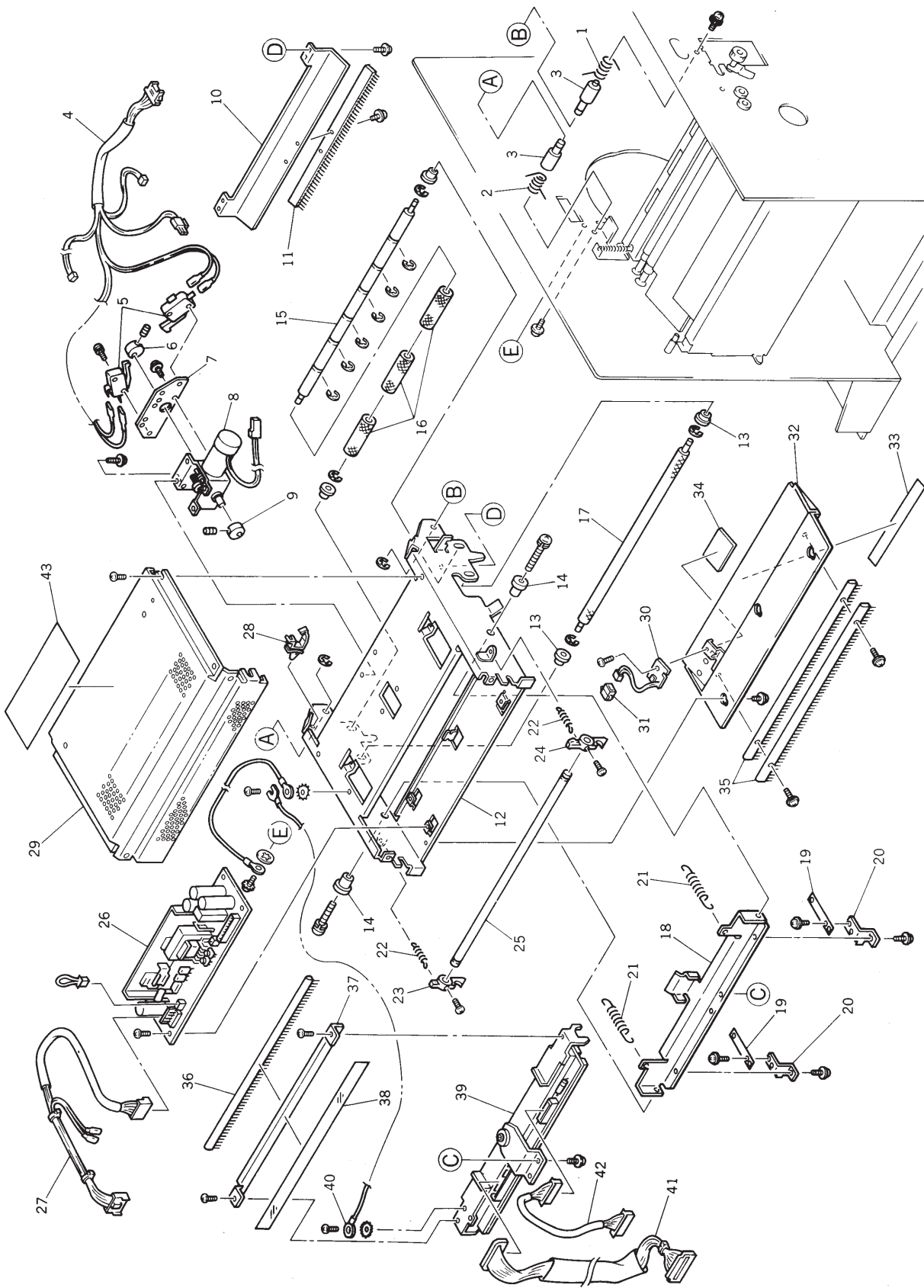
No.	Part No.	Part Name	Q'ty	Remark
23	011-15162-000	*Sheet; Master Guide Plate; M. -M.	1	
24	017-60014-105	*Master End Sensor (Send)	1	
25		**Junction Connector; 4P	1	Ref. Pg. II-31
26	017-15124-005	Stay; Set Guide Plate	2	
27	000-10126-002	Pulley G; Original Feed Roller	1	
28	011-15120-006	Pulley A; Write Roller	1	
29	017-15108-000	Fixing Plate; Bearing	1	
30	600-50059-017	Bearing; FLW688ZZ	2	
31	620-20503-004	Belt; B50M x L3.2	1	
32	009-35214-009	Pulley PM (16); Exit Roller	1	
33	011-95077-009	Write Roller; 40	1	
34	011-15009-105	Catch Roller (Lower); M. -M.	1	
35	607-15000-809	Metal; F8 x 16 x 6; 18 x 2	4	
36	017-15102-001	Master Guide Plate	1	
37	014-15146-007	Spring; Master Guide Plate	2	
38	014-15144-101	Spring Hanger L; Master Guide Plate	1	
39	014-15145-108	Spring Hanger R; Master Guide Plate	1	
40	017-15103-008	Guide Plate; Load	1	
41	017-15101-005	Load Roller (Lower); M. -M.	1	
42	607-50806-301	Liner; R-ML0806	2	
43	011-15110-000	Pulley; Loading Roller (Lower)	1	
44	017-14146-005	Bracket; Aero Guide Sheet	1	
45	017-14147-001	Aero Guide Sheet	1	
46	017-15104-004	Bracket; De-electricity Brush	1	
47	011-15041-009	De-electricity Brush	1	
	017-95100-004	Master Sensor Ass'y		
48	017-15111-000	*Bracket; Master Sensor	1	
49	017-60006-200	*Sensor; KR820	1	
50		**Junction Connector; 3P	1	Ref. Pg. II-31
51	017-15107-003	Metal Fixing Plate	1	
52	017-15234-005	Set Plate; Master Holder Cover	1	
53	011-15001-007	Support Shaft	2	
54	017-15214-004	Holder Stay F	1	
55	017-15213-008	Holder Stay R	1	
	017-95010-005	Master Loading Unit SW Ass'y		

No.	Part No.	Part Name	Q'ty	Remark
56	011-15113-000	*Bracket; Micro-SW; M. -M.	1	
57	443-00120-501	*Micro-SW; E21-51N	1	
58	665-02021-401	Clamp DKN-20	2	
59	017-15296-000	Flange F II; Master Roll	1	
60	017-15229-001	Flange R; Master Roll	1	
61	550-20669-003	Seal; Setting Master	1	

No.	Part No.	Part Name	Q'ty	Remark

MEMO

FIG. 26 MASTER-MAKING AREA (2)



No.	Part No.	Part Name	Q'ty	Remark
1	011-15056-006	Spring (Right); M. -M.	1	
2	011-15055-000	Spring (Left); M. -M.	1	
	017-95000-107	Unit/Master Making		RA4050, 42
	017-95001-103	Unit/Master Making; 49		RA43, 49
	017-95002-100	Unit/Master Making; 59		RA59
3	011-15722-006	*Fulcrum II; M. -M.	2	
4	017-55023-104	*Wire Harness; M. -M. -Image	1	RA4050, 42
4	017-55025-107	*Wire Harness; M. -M. -Image; T40	1	RA43, 49, 59
5	443-00120-609	*Micro-SW; E21-91N	2	
6	011-15708-100	*Switch Cam	1	
7	011-15710-008	*Bracket; Micro-SW	1	
8	017-65000-005	*Thermal Pressure Motor III Ass'y	1	
9	011-15117-005	*Cam; Thermal Pressure Motor	1	
10	017-15006-002	*Bracket; De-electricity Brush	1	
11	011-15041-009	*De-electricity Brush	1	
12	017-15005-006	*Frame A; M. -M.	1	
13	607-11000-200	*Metal; F4 x 7 x 6; 10 x 1.5	4	
14	011-15004-006	*Fulcrum; TPH	2	
15	017-15008-005	*Shaft; Load Roller	1	
16	017-15009-001	*Load Roller	3	
17	017-15007-106	*Catch Roller (Upper)	1	
18	011-15704-105	*Bracket; TPH	1	
19	011-15716-006	*Pressure Assist Plate	2	
20	011-15717-002	*Bracket; Pressure Assist Plate; K-TPH	2	RA4050, 42, 59
20	011-15751-006	*Bracket; Pressure Assist Plate; T-TPH	2	RA43, 49
21	011-15718-106	*Spring; TPH Pressure	2	
22	011-15098-000	*Hook Spring	2	
23	017-15015-001	*Open/Close Hook II	1	
24	011-15013-005	*Open/Close Hook	1	
25	011-15010-006	*Shaft; Open/Close Hook	1	
26	017-51010-008	*Sub-Power Supply PCB	1	
27	017-55011-106	Wire Harness; S. Power	1	
28	665-02025-601	Wire Saddle; LWS-2N	1	
29	017-15010-000	Cover A; M. -M.	1	
30	017-60015-004	Master End Sensor (Receive)	1	

No.	Part No.	Part Name	Q'ty	Remark
31		*Junction Connector; 3P	1	Ref. Pg. II-31
32	017-15011-006	Copy Guide Plate (Lower); B4	1	
32	017-15014-005	Copy Guide Plate (Lower); A4	1	
33	550-20118-104	TPH Seal	1	
34	014-15013-007	Sheet; Light Absorber; M. -M.	1	
35	011-15051-004	De-electricity Bar; M. -M.	2	
	011-95037-007	K-TPH Ass'y		RA4050, 42
36	011-15733-008	*De-electricity Brush; K-TPH	1	
37	011-15734-004	*Bracket; De-electricity Brush; K-TPH	1	
38	011-15035-009	*Protection Sheet A; TPH	1	
39		*K-TPH; 260-12	1	
40	488-90003-101	*Ground Wire; U3-100-R3	1	
	017-95036-004	T-TPH Ass'y (300)		RA43
36	011-15036-005	*De-electricity Brush; TPH	1	
37	011-15034-002	*Bracket; De-electricity Brush; T-TPH	1	
38	011-15035-009	*Protection Sheet A; TPH	1	
39		*T-TPH; 260R13	1	
40	488-90003-101	*Ground Wire; U3-100-R3	1	
	017-95035-008	T-TPH Ass'y (400)		RA49
36	011-15036-005	*De-electricity Brush; TPH	1	
37	011-15034-002	*Bracket; De-electricity Brush; T-TPH	1	
38	011-15035-009	*Protection Sheet A; TPH	1	
39		*T-TPH; 260R14	1	
40	488-90003-101	*Ground Wire; U3-100-R3	1	
	017-95037-000	K-TPH Ass'y (400)		RA59
36	011-15733-008	*De-electricity Brush; K-TPH	1	
37	011-15734-004	*Bracket; De-electricity Brush; K-TPH	1	
38	011-15035-009	*Protection Sheet A; TPH	1	
39		*K-TPH; 260-16	1	
40	488-90003-101	*Ground Wire; U3-100-R3	1	
41	017-55000-007	Wire Harness; S. Image Scanner	1	
42	017-55020-008	Wire Harness; TPH-Power	1	
43	550-20671-105	Seal; M. -M.	1	
43	550-20672-101	Seal; M. -M; Pic.	1	

FIG. 27 CUTTER UNIT

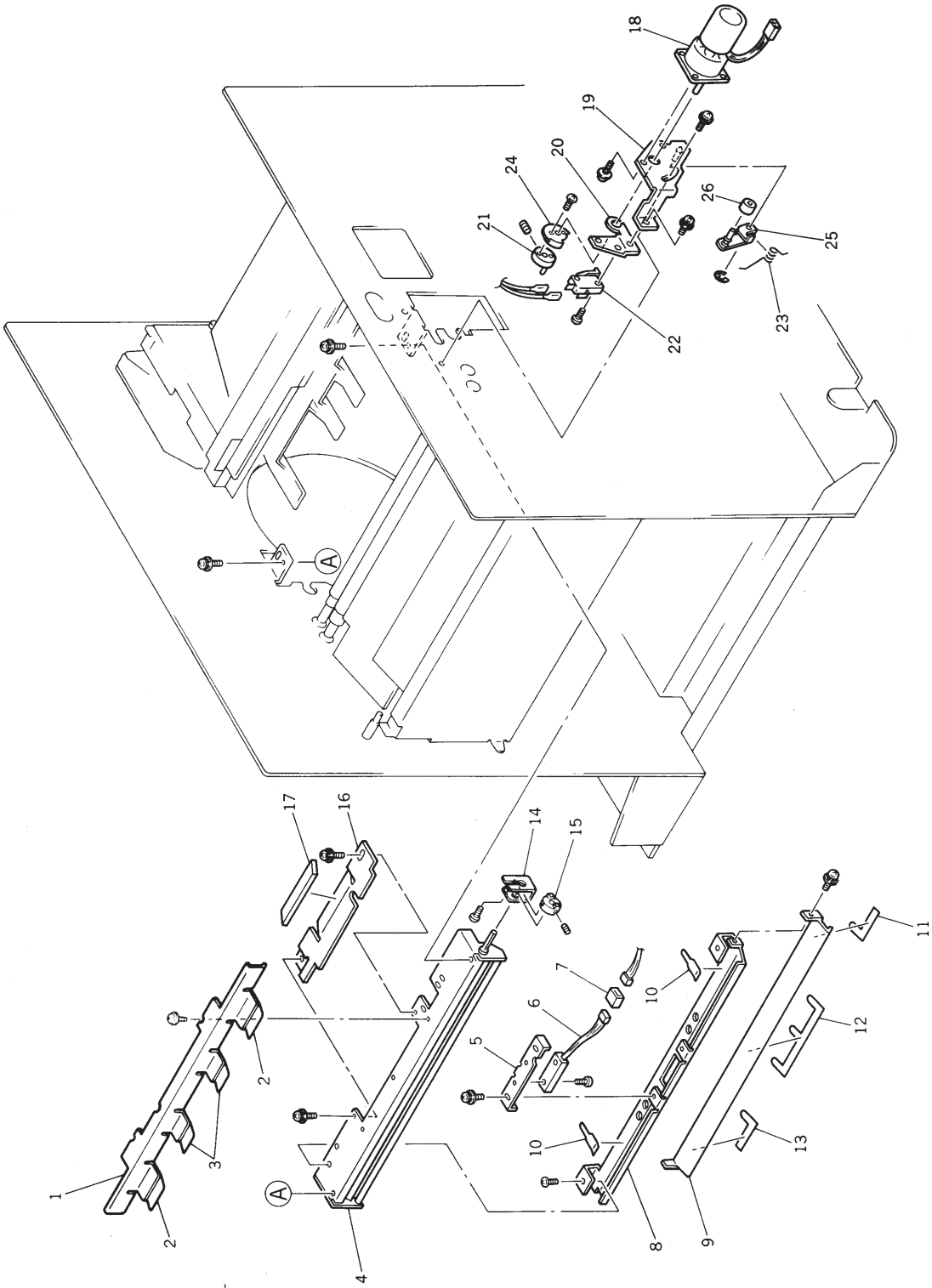
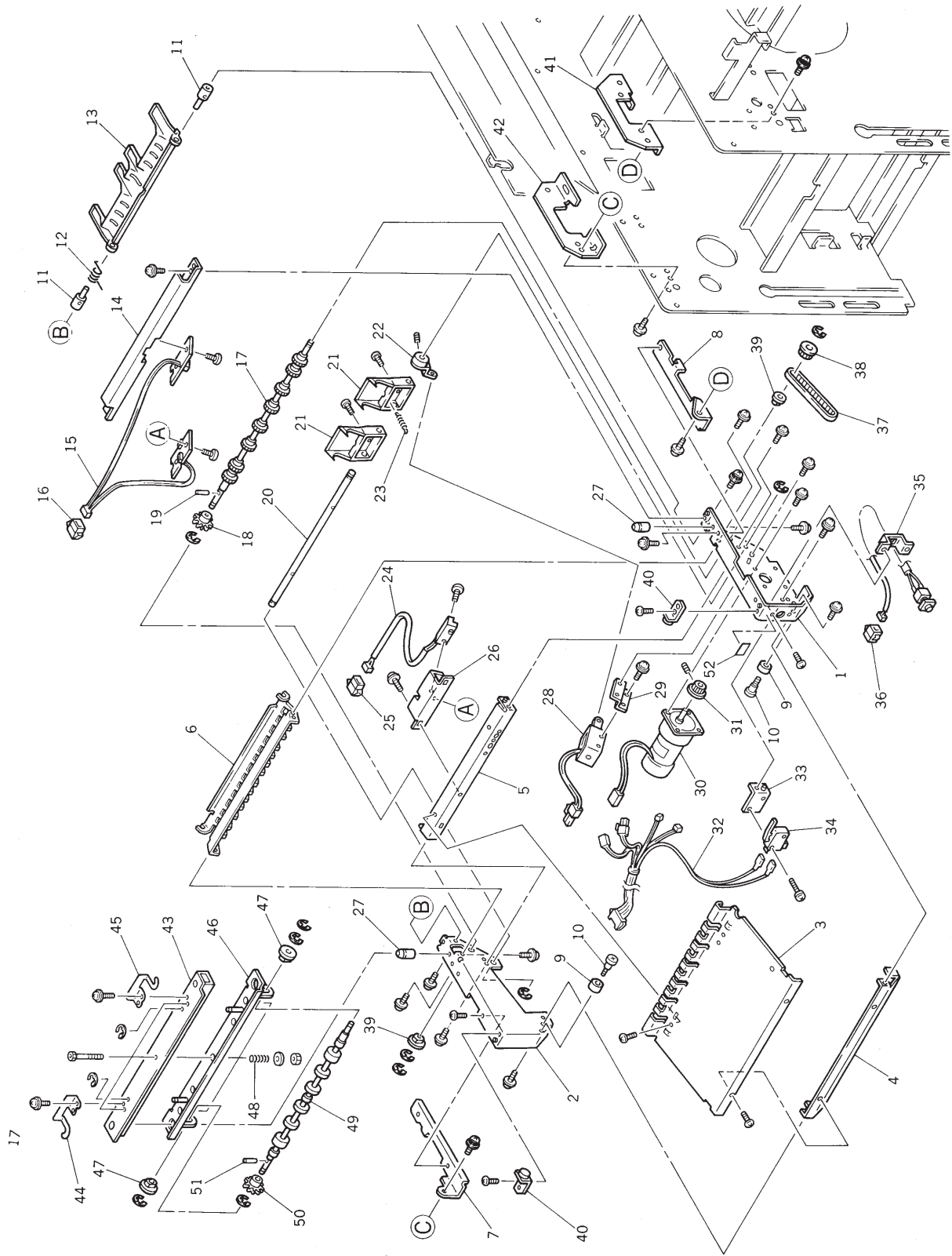


FIG. 28 MASTER REMOVAL UNIT



No.	Part No.	Part Name	Q'ty	Remark
	017-94100-019	Unit/Master Removal; B4		
	017-94101-015	Unit/Master Removal; A4		
1	017-14101-109	*Right-Side Frame; M. -Rmv.	1	
2	017-14102-300	*Left-Side Frame; M. -Rmv.	1	
3	017-14105-104	*Base Plate; M. -Rmv.; B4	1	
3	017-14126-101	*Base Plate; M. -Rmv.; A4	1	
4	017-14104-000	*Stay B; M. -Rmv.	1	
5	017-14103-004	*Stay A; M. -Rmv.	1	
6	017-14106-100	*Guide Plate; M. -Rmv.; B4	1	
6	017-14127-108	*Guide Plate; M. -Rmv.; A4	1	
7	017-14143-006	*Set Plate R; M. -Rmv.	1	
8	017-14142-000	*Set Plate F; M. -Rmv.	1	
9	017-14114-006	*Set Collar; M. -Rmv.	2	
10	017-14115-002	*Screw; M. -Rmv.	2	
11	017-14116-009	*Fulcrum; Master Guide; M. -Rmv.	2	
12	017-14121-002	*Spring; Master Guide; M. -Rmv.	1	
13	017-14120-103	*Master Guide; M. -Rmv.	1	
14	017-14124-109	*Upper Stay; M. -Rmv.	1	
15	017-60001-003	*Master Removal Sensor	1	
16		** Junction Connector; 5P	1	Ref. Pg. II-31
17	017-14107-107	*Vertical Transport Roller (Down)	1	
17	017-14128-104	*Vertical Transport Roller (Down); A4	1	
18	612-03103-009	*Gear B; 1.25 x 14	1	
19		*Pin; ϕ 2.5 x 8	1	Ref. Pg. II-31
20	017-14108-006	*Shaft; M. -Rmv. Hook; B4	1	
20	017-14129-003	*Shaft; M. -Rmv. Hook; A4	1	
21	011-14170-000	*Master Removal Hook	2	
22	011-14115-009	*Linking Plate; M. -Rmv. Hook	1	
23	000-10148-030	*Spring B	1	
24	017-60006-200	*Sensor; KR820	1	
25		** Junction Connector; 3P	1	Ref. Pg. II-31
26	017-14111-104	*Sensor Bracket; M. -Rmv.	1	
27	017-14125-008	*Guide Boss; M. -Rmv.	2	
28	011-65018-300	*Master Removal Solenoid	1	
29	017-14122-009	*Bracket; M. -Rmv. Solenoid	1	

No.	Part No.	Part Name	Q'ty	Remark
30	017-65003-004	*M. -Rmv. Vertical Transport Motor	1	
31	002-14517-000	*Pulley; Duct	1	
32	017-55035-102	*Wire Harness; M. -Rmv.	1	
33	011-14408-006	*Bracket; Disposal Box SW	1	
34	443-00121-109	*Micro-SW; 21-52N	1	
35	017-60010-002	*Switch A	1	
36		** Junction Connector; 2P	1	Ref. Pg. II-31
37	620-32916-002	*Belt; 291-3M-6	1	
38	011-14121-009	*Pulley B; M. -Rmv.	1	
39	607-13000-402	*Metal; F6 x 10/9 x 6; 12 x 1.5	2	
40	017-14117-005	*Box Guide	2	
41	017-14144-002	Fixing Plate F; M. -Rmv.	1	
42	017-14145-009	Fixing Plate R; M. -Rmv.	1	
	017-94110-014	Holder Ass'y; V. -Transport Roller; B4		
	017-94111-010	Holder Ass'y; V. -Transport Roller; A4		
43	017-14135-003	*Upper Holder A; V. -Transport Roller	1	
44	017-14149-004	*Hook Spring R; M. -Rmv.	1	
45	017-14148-008	*Hook Spring F; M. -Rmv.	1	
46	017-14131-105	*Upper Holder B; V. -Transport Roller	1	
47	607-13000-003	*Metal; F6 x 10/9 x 4; 12 x 1.5	2	
48	007-14113-100	*Spring; Vertical Transport	3	
49	017-14138-100	*Vertical Transport Roller (Up); B4	1	
49	017-14141-100	*Vertical Transport Roller (UP); A4	1	
50	612-03103-009	*Gear B; 1.25 x 14	1	
51		*Pin; ϕ 2.5 x 8	1	Ref. Pg. II-31
52	550-20059-108	Seal; P. -F. -T. Down	1	

FIG. 29 MASTER DISPOSAL BOX

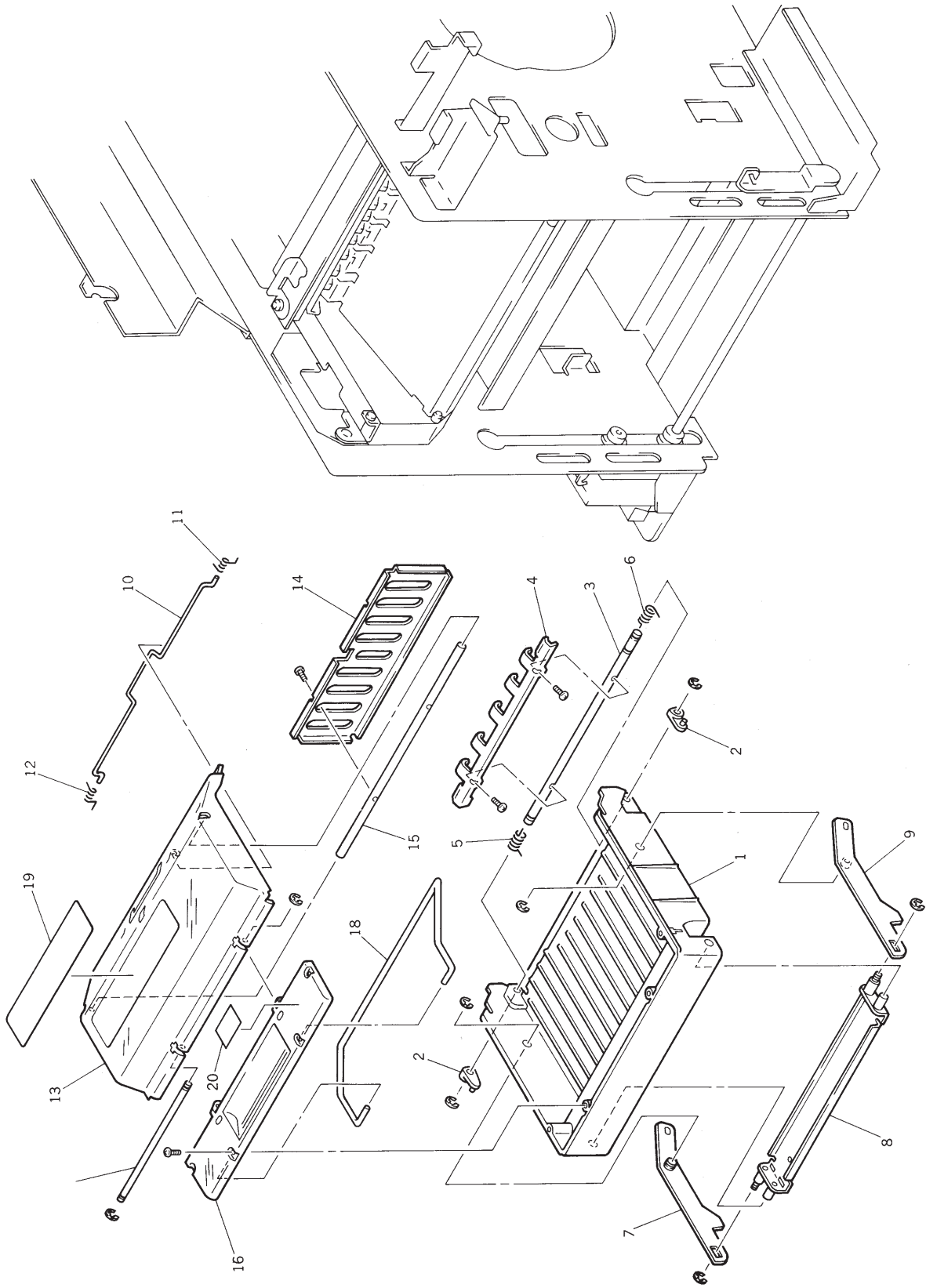
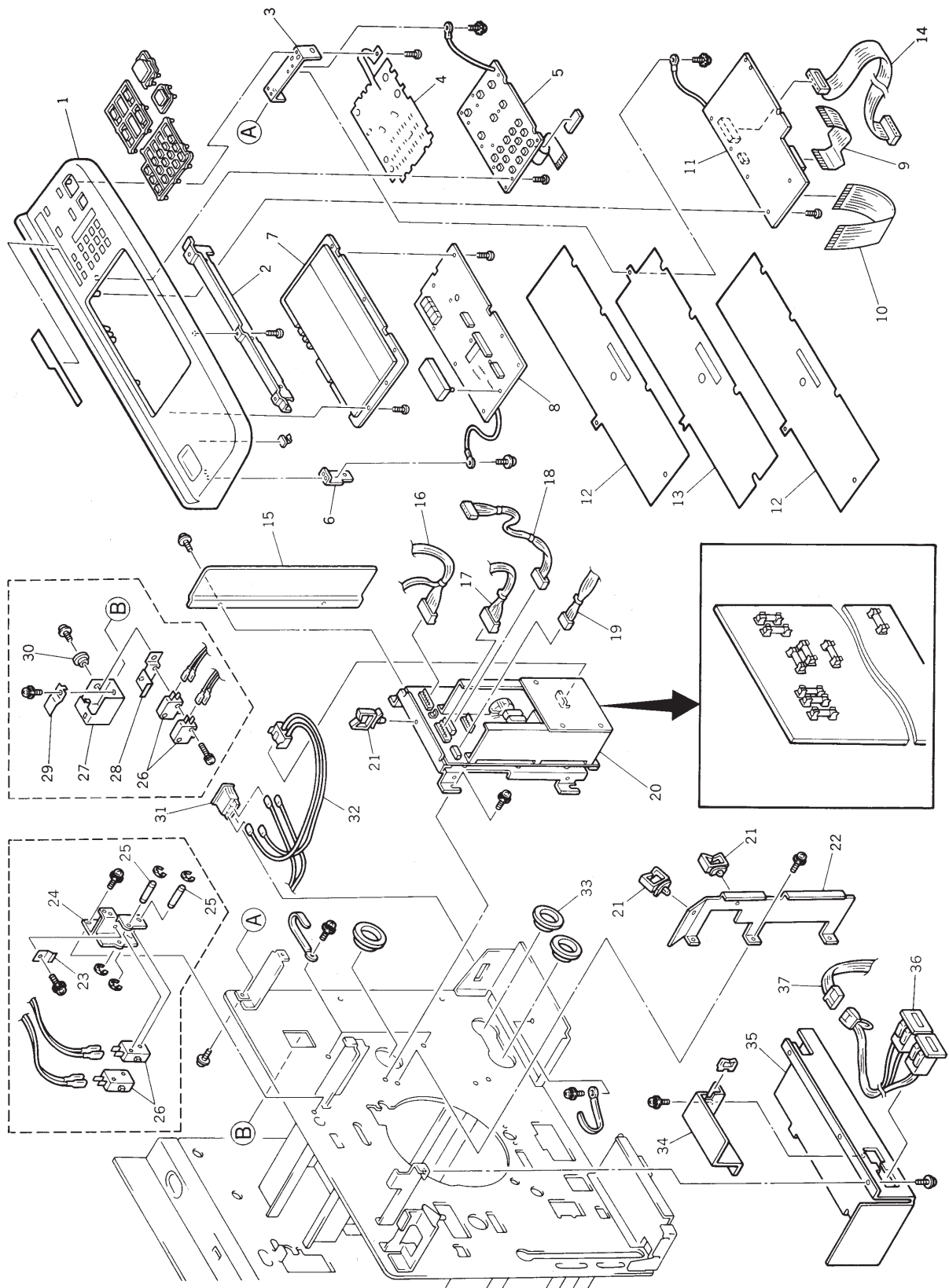


FIG. 30 ELECTRICAL COMPONENT AREA (1)



No.	Part No.	Part Name	Q'ty	Remark
	017-97025-000	Unit/Operation Panel; 4050 US		
	017-97026-006	Unit/Operation Panel; 4050 Pic.		
	017-97027-002	Unit/Operation Panel; 4050		
	017-97005-009	Unit/Operation Panel; 42 US		
	017-97006-005	Unit/Operation Panel; 42 Pic.		
	017-97007-001	Unit/Operation Panel; 42		
	018-97010-000	Unit/Operation Panel; 43 US		
	018-97011-006	Unit/Operation Panel; 43 Pic.		
	018-97012-002	Unit/Operation Panel; 43		
	017-97015-004	Unit/Operation Panel; 49 US		
	017-97016-000	Unit/Operation Panel; 49 Pic.		
	017-97017-007	Unit/Operation Panel; 49		
	018-97005-006	Unit/Operation Panel; 59 US		
	018-97006-002	Unit/Operation Panel; 59 Pic.		
	018-97007-009	Unit/Operation Panel; 59		
1	017-17060-101	*Key Board Cover	1	
2	011-17046-105	*Reinforce Plate; Panel	1	
3	017-17051-005	*Bracket B; Keyboard	1	
4	017-17007-006	*Mylar Sheet; Panel SW	1	
5	017-51015-000	*Panel SW PCB	1	RA4050, 42, 43
5	017-51018-009	*Panel SW PCB II	1	RA49, 59
6	017-17050-009	*Bracket A; Keyboard	1	
	017-97070-005	*Sub-Panel Ass'y; 4050 US	1	
	017-97071-001	*Sub-Panel Ass'y; 4050 Pic.	1	
	017-97072-008	*Sub-Panel Ass'y; 4050	1	
	017-97055-006	*Sub-Panel Ass'y; 42 US	1	
	017-97056-002	*Sub-Panel Ass'y; 42 Pic.	1	
	017-97057-009	*Sub-Panel Ass'y; 42	1	
	018-97060-007	*Sub-Panel Ass'y; 43 US	1	
	018-97061-003	*Sub-Panel Ass'y; 43 Pic.	1	
	018-97062-000	*Sub-Panel Ass'y; 43	1	
	017-97065-001	*Sub-Panel Ass'y; 49 US	1	
	017-97066-008	*Sub-Panel Ass'y; 49 Pic.	1	
	017-97067-004	*Sub-Panel Ass'y; 49	1	
	018-97055-003	*Sub-Panel Ass'y; 59 US	1	

No.	Part No.	Part Name	Q'ty	Remark
	018-97056-000	*Sub-Panel Ass'y; 59 Pic.	1	
	018-97057-006	*Sub-Panel Ass'y; 59	1	
7	017-97073-004	**Sub-Panel; 4050 US	1	
7	017-97074-000	**Sub-Panel; 4050 Pic.	1	
7	017-97075-007	**Sub-Panel; 4050	1	
7	017-97052-007	**Sub-Panel; 42 US	1	
7	017-97053-003	**Sub-Panel; 42 Pic.	1	
7	017-97054-000	**Sub-Panel; 42	1	
7	018-97070-002	**Sub-Panel; 43 US	1	
7	018-97071-009	**Sub-Panel; 43 Pic.	1	
7	018-97072-005	**Sub-Panel; 43	1	
7	017-97062-002	**Sub-Panel; 49 US	1	
7	017-97063-009	**Sub-Panel; 49 Pic.	1	
7	017-97064-005	**Sub-Panel; 49	1	
7	018-97065-009	**Sub-Panel; 59 US	1	
7	018-97066-005	**Sub-Panel; 59 Pic.	1	
7	018-97067-001	**Sub-Panel; 59	1	
8	017-51014-208	**Panel Display PCB	1	RA4050, 42, 43
8	017-51017-100	**Panel Display PCB II	1	RA49, 59
9	017-55042-001	**Flexible Flat Wire; Panel	1	
10	017-55043-008	**Flexible Flat Wire 14P; Panel	1	RA49, 59
11	017-51013-007	*Panel Control PCB	1	RA4050, 42, 43
11	017-51016-006	*Panel Control PCB II	1	RA49, 59
12	017-17009-009	*Sheet A; Panel	2	
13	017-17008-002	*Sheet B; Panel	1	
14	017-55016-000	Wire Harness; Panel-System	1	
15	017-17232-107	Side Cover; Power Supply	1	
16	017-55015-004	Wire Harness; Motor Con. -Power	1	RA4050, 42
16	017-55019-000	Wire Harness II; Motor Con. -Power	1	RA43, 49, 59
17	017-55012-005	Wire Harness; System-Power	1	
18	017-55014-105	Wire Harness; Panel-Power	1	
19	017-55013-001	Wire Harness; Image-Power	1	
20	017-51009-000	Power Supply PCB IV H200	1	200V
20	017-51008-003	Power Supply PCB IV H100	1	100V
21	665-02025-504	Wire Saddle; WS-4W	3	

MEMO

FIG. 31 ELECTRICAL COMPONENT AREA (2)

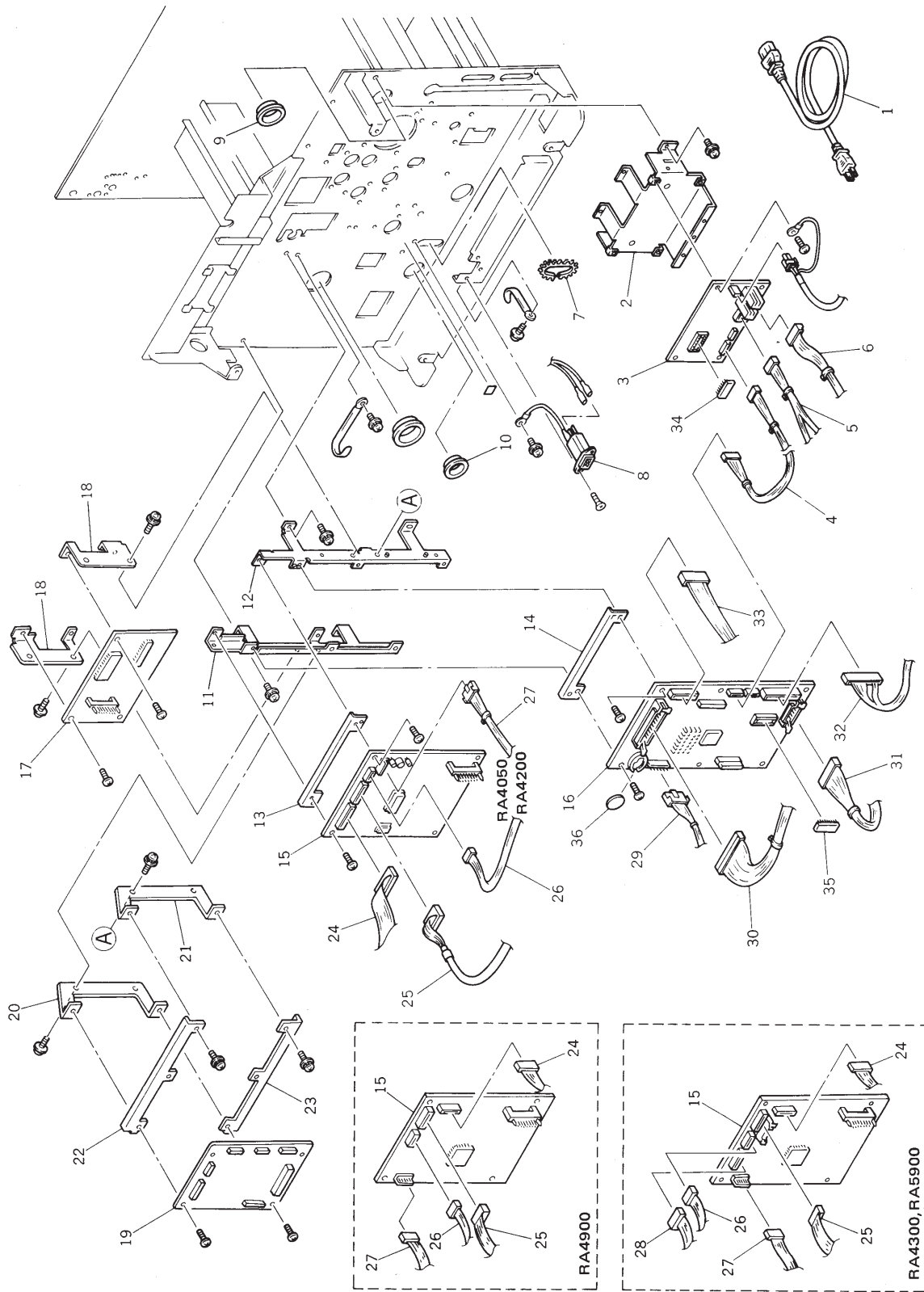


FIG. 32 EXTERIOR COVER AREA (RA4050, RA4200, RA4900)

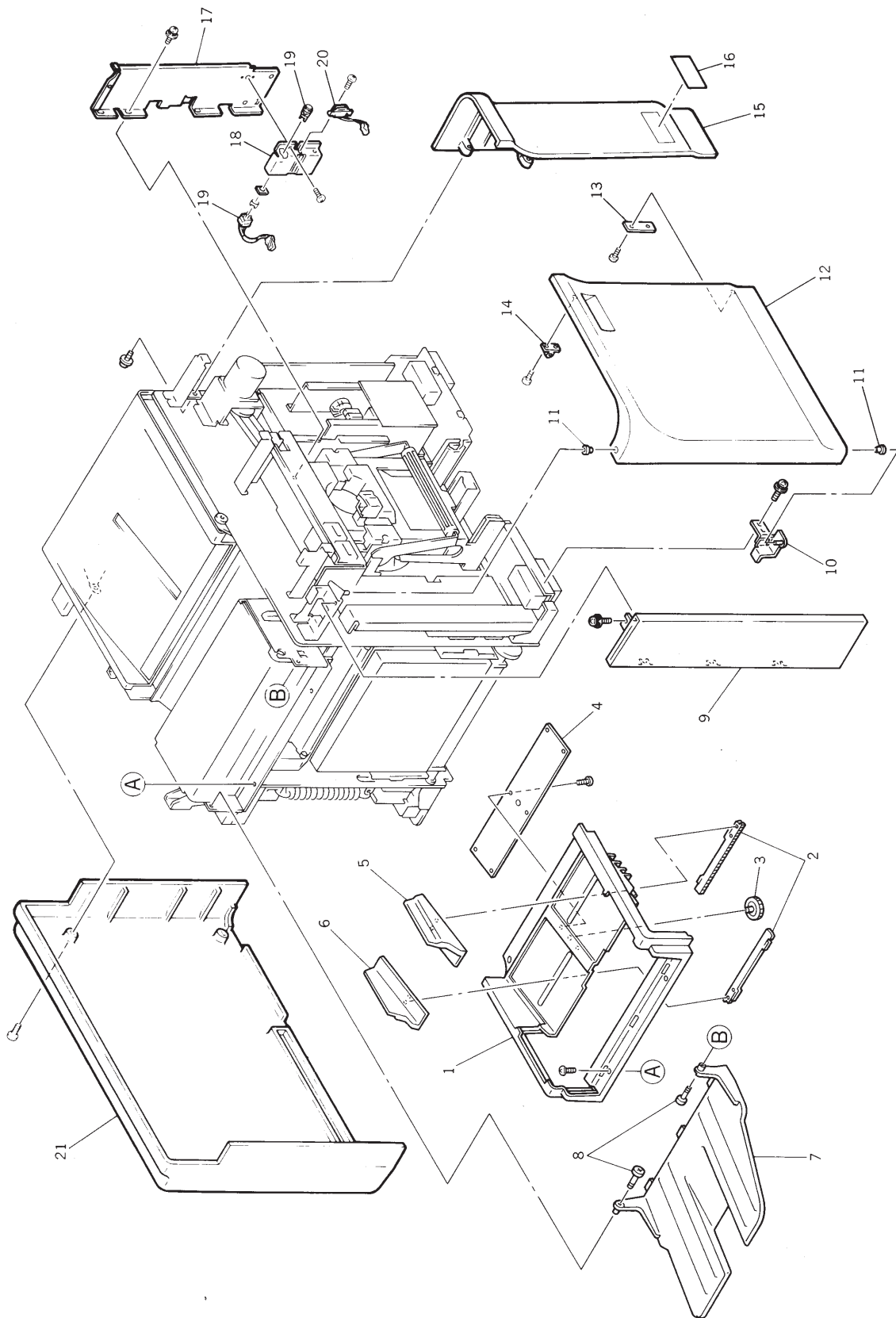


FIG. 33 EXTERIOR COVER AREA (RA4300, RA5900)

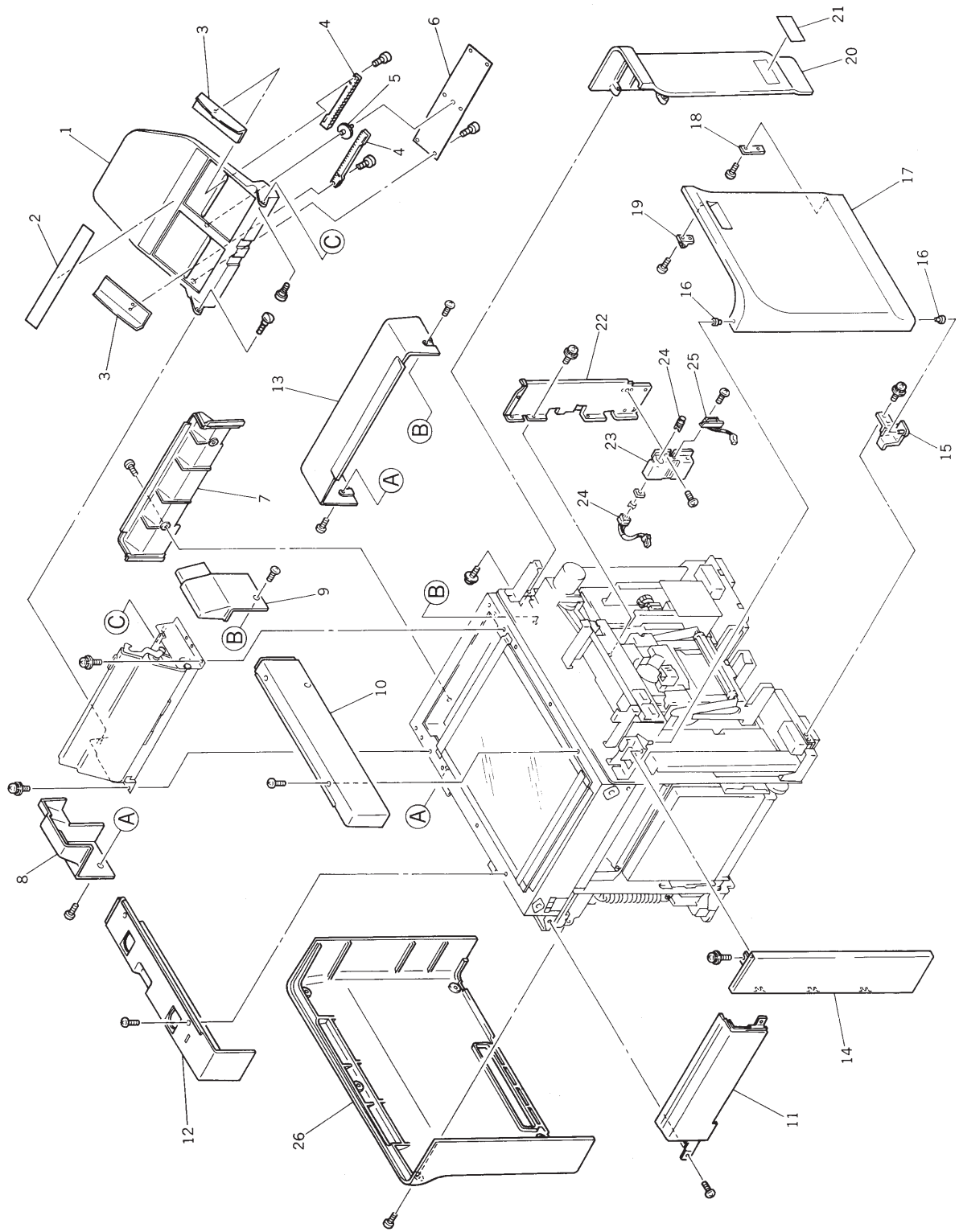


FIG. 34 STAGE COVER (RA4300, RA5900)

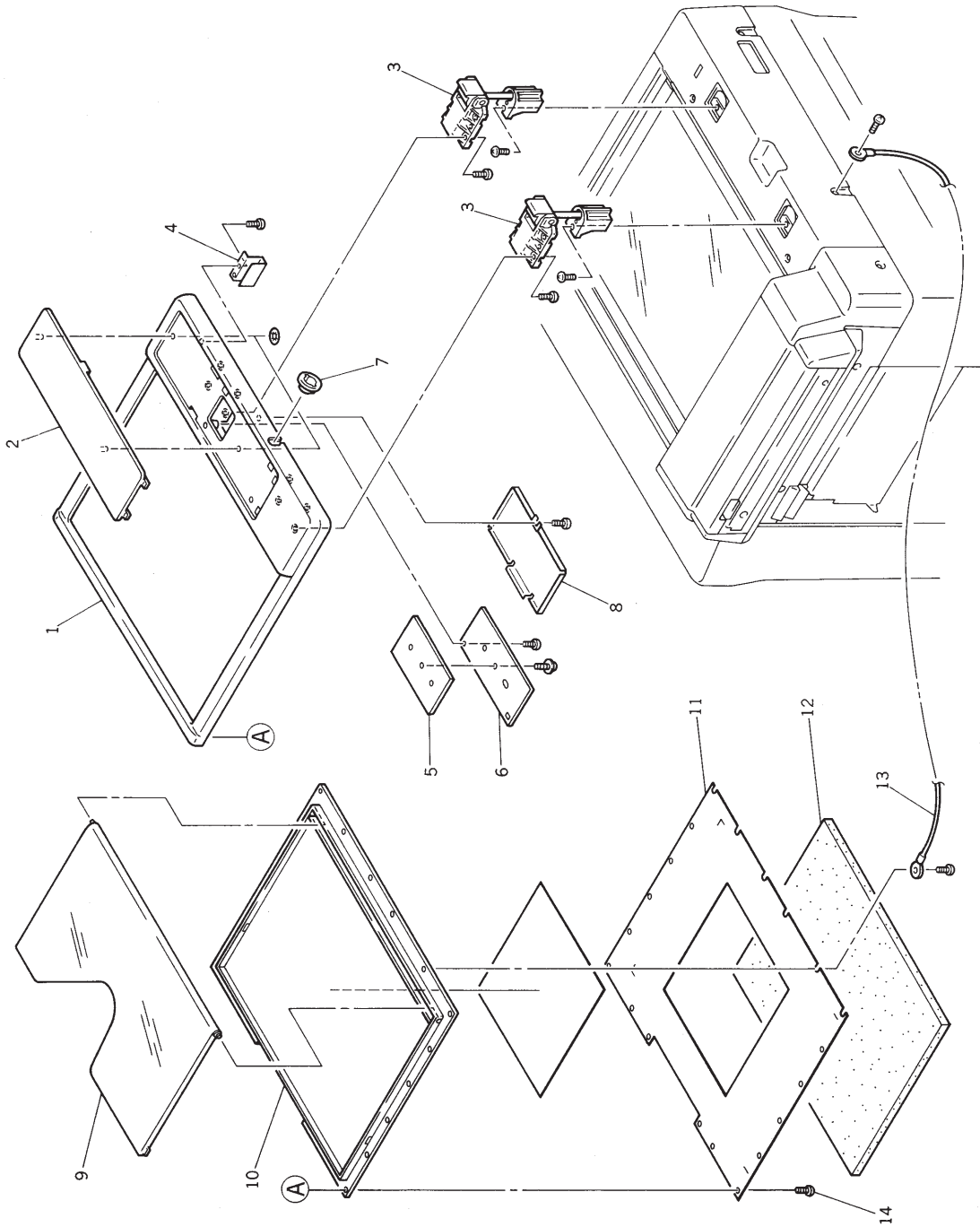


FIG. 35 DIGITIZER (RA5900)

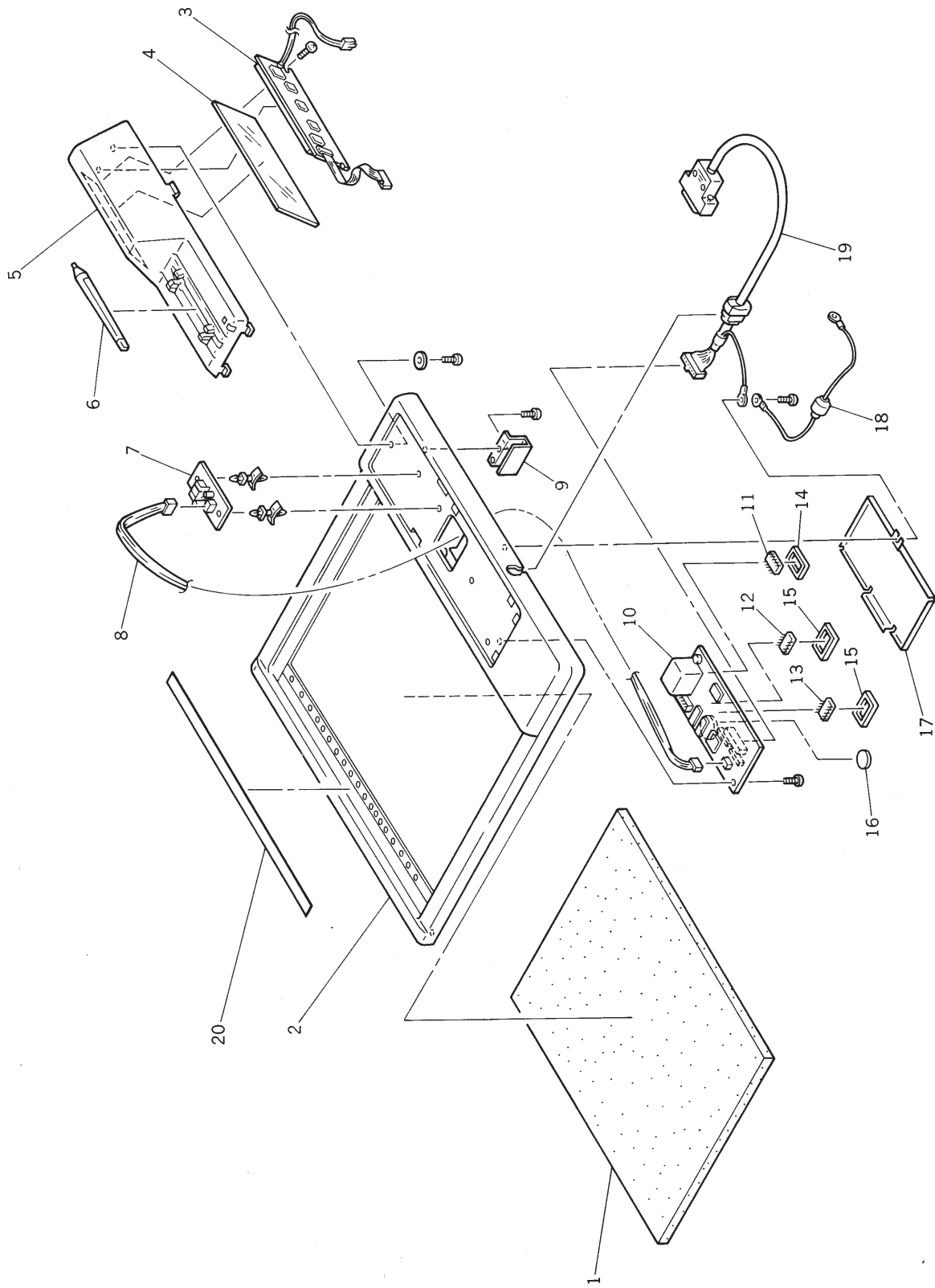
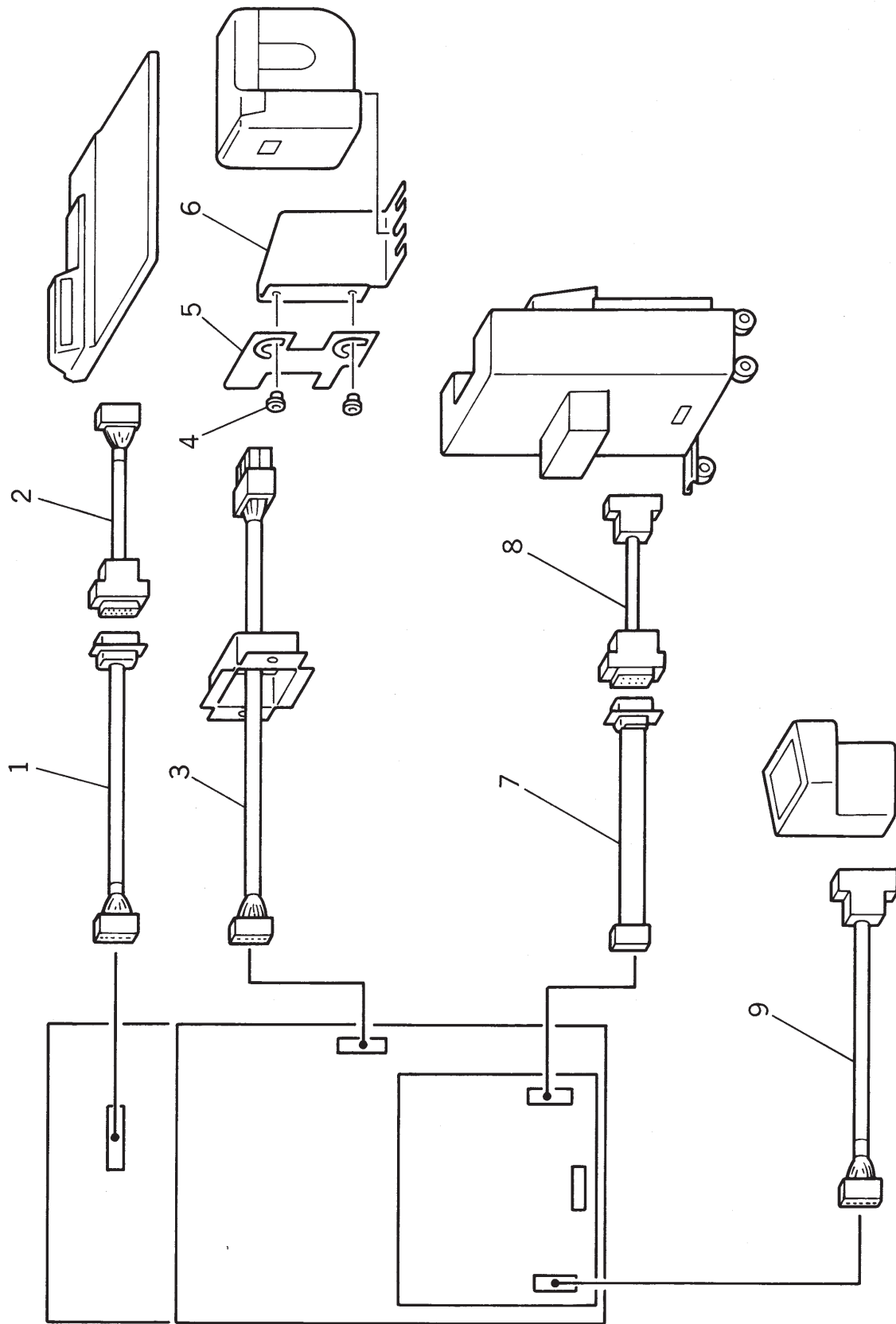


FIG. 36 CONNECTING PARTS FOR OPTION





RA SERIES

PARTS LIST

VERSION 1.0
August, 1993

PARTS LIST	I
INDEX	II

Part No.	Part Name	Q'ty	Page	Unit Value
000-01169-106	Support Roller; Drum	3	23	
000-01327-003	Adj. Plate; Guide Roller	1	21	
000-01328-000	Adj. Eccentric; Guide Roller	1	21	
000-01515-004	Collar; Separator	1	33, 65	
000-02211-009	Spring; Squeegee Gap	2	23	
000-02254-506	Ink Blocking Plate (Front)	1	23	
000-02255-502	Ink Blocking Plate (Back)	1	23	
000-06123-007	Stopper; Paper Guide Roller	6	7	
000-07119-100	Coil Spring; Inking Pump	1	24	
000-10126-002	Pulley G; Original Feed Roller	1	59	
000-10148-030	Spring B	1	67	
002-11210-109	Load Spring; Guide Roller	1	21	
002-11220-007	Cam; Guide Roller	1	13, 17	
002-11225-009	Support Block; Slide Plate	2	13, 17	
002-11227-001	Spacer; Slide Plate	3	13, 17	
002-11242-000	Idler	3	13, 17	
002-11244-003	Idler Pulley	4	13, 17	
002-11247-100	Pressure Link; Top	1	13	
002-11250-100	Stopper Shaft	1	13	
002-11251-204	Spring Hanger Shaft	1	13	
002-11255-013	Linking Plate; Drive Base	1	13	
002-11259-108	Connecting Shaft; Link	1	13	
002-11291-109	Sector Gear	1	13, 17	
002-11303-000	Spring B; Pressure Link	1	13, 17, 18	
002-11304-103	Spring; Hook Lever	1	13, 17	
002-11402-008	Adjuster; Press. -Roll. Support	2	21	
002-11404-108	Roller Holder; Pressure	4	21	
002-11405-007	Center Shaft; Pressure	1	21	
002-11412-003	Shaft Catch; Guide Roller	1	21	
002-11421-002	Adj. Plate; Timing Lever	1	31	
002-11509-104	Joint A	1	65	
002-11542-004	Housing; Stripper	1	21	
002-11543-000	Spring; Stripper	1	21	
002-11544-007	Sliding Plate; Stripper	1	21	
002-11546-000	Bracket; Stack Paper Feeding SW	1	21	
002-11548-002	Adjuster; Stripper	1	21	
002-11549-009	Adj. Shaft; Stripper	1	21	
002-11550-007	Stopper Washer; Stripper	1	21	
002-11557-001	Stripper Pad; SU	1	21	
002-11717-009	Collar; Elevator	2	7	
002-11719-206	Rack; Elevator	2	7	
002-12110-108	Clamp Magnet A; B4	1	27	
002-12134-104	Sticker Sheet; Drum	1	27	
002-12201-308	Squeegee Roller	1	23	
002-12205-001	Doctor Roller	1	23	

Part No.	Part Name	Q'ty	Page	Unit Value
002-12208-000	Adj. Plate (Front); Squeegee	1	23	
002-12209-007	Adj. Collar A; Squeegee	1	23	
002-12210-005	Adj. Collar B; Squeegee	1	23	
002-12213-101	Sector Adjustor; Squeegee	1	23	
002-12216-100	Adj. Shaft; Squeegee	1	23	
002-12218-006	Reverse Rotation Stopper B	1	23	
002-12219-002	Adj. Boss; Ink Blocking	2	23	
002-12222-003	Pulley; Squeegee Roller	1	23	
002-12223-107	Pulley; Main Shaft	1	23	
002-12229-105	Tensioner; Squeegee	1	23	
002-12233-005	Spring; Tensioner; Squeegee	1	23	
002-12234-001	Spring; Adj. Plate (Front)	2	23	
002-12237-000	Adj. Plate (Back); Squeegee	1	23	
002-12238-104	Axis; Drive Shaft; Squeegee	1	23	
002-12240-001	Shaft Catch; Drive; Squeegee	1	23	
002-12303-305	Bracket; Inking Motor	1	24	
002-12304-107	Piston; Inking Pump	1	24	
002-12307-203	Linking Disc; Inking Pump	1	24	
002-12308-013	Linking Plate; Inking Pump	1	24	
002-12309-001	Collar; Inking Pump	2	24	
002-12310-107	Collar Holder; Inking Pump	2	24	
002-12407-003	Boss A; Drum Lever	2	23	
002-12409-006	Support Shaft; Support Roller	2	23	
002-12410-004	Adj. Plate; Support Roller	1	23	
002-12414-000	Shaft; Locking Plate; Drum	1	23	
002-12418-102	Spacer; Drum Lever	2	23	
002-12537-209	Protection Sheet	1	31	
002-13252-003	Gear Pulley B; Suction	1	35, 37	
002-13352-105	Spring; Separator	1	33	
002-14517-000	Pulley; Duct	1	67	
002-17006-007	Shaft Catch; Front Cover	2	77, 79	
002-17016-002	Cover Catch A; Front	1	77, 79	
002-17017-203	Cover Catch B; Front	1	3, 5	
005-24114-003	Shaft Gear; Original Holder	1	77, 79	
006-11216-009	Bearing House A; Main Shaft	1	13, 17	
006-11222-009	Slide Plate (Base)	1	13, 17	
006-11224-109	Slide Plate (Front)	1	13, 17	
006-11301-308	Timing Roller	1	21	
006-11303-009	Gear; Guide Roller	1	21	
006-11304-005	Guide Shaft	1	21	
006-11305-109	One-Way Spring	1	21	
006-11306-008	Gear A; Guide Roller	1	21	
006-11307-004	Gear B; Timing Roller	1	21	
006-11308-000	Timing Lever	1	31	
006-11311-109	Spring; Timing Lever; R3	1	31	

Part No.	Part Name	Q'ty	Page	Unit Value
006-11312-008	Support Collar; R3	2	21	
006-11332-009	Core; Pickup Roller	2	7	
006-11518-013	Stripper Fixing Spring	1	21	
006-91440-001	Unit/Adj. Plate; Timing Lever	1	31	
007-13121-100	Spring; Release Lever	1	33	
007-13124-109	Base Block; Paper Guide; Rcv.	3	39	
007-14113-100	Spring; Vertical Transport	3	67	
009-35214-009	Pulley PM (16); Exit Roller	2	31, 59	
011-11111-002	Bracket F; Suction	1	3, 5	
011-11112-009	Bracket R; Suction	1	3, 5	
011-11113-102	Bottom Cover	1	3, 5	
011-11201-109	Unit/P. -F. Clutch	1	13, 17	
011-11204-000	Base Plate; P. -F. Clutch	1	13, 17	
011-11208-006	Base Shaft Plate; Slide Plate	1	13, 17	
011-11220-006	Shaft Base Block; Slide Plate	1	13, 17	
011-11222-106	Base Shaft Plate; Pressure	1	14	
011-11227-000	Reinforce Plate; Slide Plate	1	13, 17	
011-11229-003	Bracket; Print Positioning Motor	1	31	
011-11230-001	Shaft; Slide Plate	1	13, 17	
011-11231-008	Shaft Block; Slide Plate	1	13, 17	
011-11232-004	Gear; Slide Plate	1	13, 17	
011-11234-007	Main Bracket; Face Plate	2	14, 18	
011-11235-003	P Disc	1	13, 17	
011-11238-002	Disc Plate; Main Shaft	2	13, 17	
011-11240-309	Cam; Timing Roller	1	13, 17	
011-11241-100	Pressure Link; Bottom	1	13	
011-11244-002	Gear; Pressure Control Motor	1	31	
011-11245-009	Gear; Pressure Adj. Screw	1	13, 17	
011-11249-403	Face Plate; Main Shaft	1	13	
011-11251-106	Bracket; Tension Pulley	1	14, 18	
011-11254-105	Tension Pulley	1	14, 18	
011-11255-004	Pressure Sensor Disc	1	13, 17	
011-11257-007	Cam; Pressure Roller; A4	1	13	
011-11258-003	Cam; Pressure Roller; B4	1	13	
011-11270-003	Shaft; Hook Lever	1	13, 17	
011-11276-206	Hook Lever	1	13, 17	
011-11280-009	Pressure Hook	1	13, 17	
011-11284-209	Pressure Lever	1	13, 18	
011-11289-006	Bracket; Hook Lever Spring	1	13, 17	
011-11296-002	Spring; Sector Gear	1	13, 17	
011-11301-006	Guide Roller	1	21	
011-11403-208	Pressure Roller Support	1	21	
011-11404-107	De-electricity Brush; B4	1	21	
011-11409-109	Guide Cover; Pressure; B4	1	21	
011-11502-001	Shaft A; P. -F. -T.	1	9, 11	

Part No.	Part Name	Q'ty	Page	Unit Value
011-11503-109	Shaft B; P. -F. -T.	1	9, 11	
011-11509-103	Side Guide R; P. -F. -T.	1	9, 11	
011-11510-101	Side Guide L; P. -F. -T.	1	9, 11	
011-11512-104	Link Plate; Side Guide; P. -F. -T.	2	9, 11	
011-11513-104	Collar; Slide Rack; P. -F. -T	4	9, 11	
011-11514-000	Gear; Slide Rack; P. -F. -T.	1	9, 11	
011-11515-006	Slide Sheet; P. -F. -T.	4	9, 11	
011-11516-002	L. O. Sheet	1	9, 11	
011-11522-002	Paper Guide Roller	6	7	
011-11523-106	Adj. Nut; P. -F. -T.	1	9, 11	
011-11524-005	Adj. Dial	1	9, 11	
011-11526-008	Support Plate R; Feed Board	1	9, 11	
011-11527-004	Support Plate L; Feed Board	1	9, 11	
011-11528-000	Feed Board	1	9	
011-11529-104	Feed Board Cover	1	9, 11	
011-11708-106	Angular Adj. Plate; Stripper	1	21	
011-11709-102	Stripper Pad Cover	1	21	
011-11710-003	Base Plate; Stripper	1	21	
011-11711-107	Fulcrum Screw; Stripper	2	21	
011-11712-006	Actuator Plate; Stack P. -F. SW	1	21	
011-11713-002	L Plate; Guide Plate	2	21	
011-11720-009	Stripper Noise Reduction Sheet	1	21	
011-11810-008	P. -F. Pressure Adj. Lever	1	7	
011-11815-000	Spring; P. -F. Pressure Adj. Lever	1	7	
011-11817-002	Pickup Roller Ass'y	2	7	
011-11818-009	Rubber Roller; Pickup	2	7	
011-12101-205	Drum Body; B4	1	27	
011-12104-000	Seal Tape	1	27	
011-12105-200	Screen A	1	27	
011-12107-009	Screen B	1	27	
011-12110-409	Clamp Plate Ass'y	1	27	
011-12114-005	Shaft; Clamp Plate	1	27	
011-12116-202	Drum Cover R	1	27	
011-12120-102	Clamp Plate Base	1	27	
011-12123-705	Drum Body Support (Left)	1	27	
011-12124-108	Compensator	1	27	
011-12129-100	Clamp Sub-Plate	1	27	
011-12130-000	Clamp Magnet B	1	27	
011-12131-007	Hanger Plate	2	27	
011-12132-402	Sheet; Clamp Plate	1	27	
011-12136-009	Spring; Screen	2	27	
011-12139-008	Drum Seal	2	27	
011-12140-006	Ink Blocking Sheet; B4	1	27	
011-12141-100	Screw; Spring Hanger	2	27	
011-12142-009	Ink Blocking Sheet; A4	1	27	

Part No.	Part Name	Q'ty	Page	Unit Value
011-12143-005	Clamp Magnet A; A4	1	27	
011-12147-108	Coil Spring; Inking Pump; RC	1	24	
011-12151-008	Valve; Inking Pump	2	24	
011-12153-000	Ink Distributor II	1	24	
011-12154-104	Plate II; Angular Magnet	1	27	
011-12155-003	Screw; Angular Magnet	1	27	
011-12156-000	Drive Shaft II; Squeegee	1	23	
011-12201-200	Inking Pump Body	1	24	
011-12204-101	Squeegee Stay	1	23	
011-12206-104	Ass'y; Shaft Joint	1	23	
011-12208-000	Bottle Guide (Over)	1	23	
011-12211-205	Side Frame; Squeegee	1	23	
011-12213-100	Drum Cover F (Upper)	1	23	
011-12216-002	Bracket; Bottle SW	1	23	
011-12217-009	Adj.Plate; Bottle SW	1	23	
011-12218-005	Boss; Bottle Set SW	1	23	
011-12219-001	Spring; Bottle SW	1	23	
011-12220-107	Drum Cover F (Lower)	1	23	
011-12221-006	Fulcrum; Tensioner; Squeegee	1	23	
011-12222-002	Bracket R; Drum Cover F	1	23	
011-12223-009	Bracket L; Drum Cover F	1	23	
011-12241-007	Shaft Support II; Squeegee	1	23	
011-12304-009	Bracket A; Connector; Drum	1	29	
011-12305-005	Spring; Locking Plate; Drum	1	23	
011-12306-109	Rail; Drum	3	29	
011-12311-005	Drum Catch (L)	1	29	
011-12317-003	Drum Catch (R)	1	29	
011-12402-108	Spring; Clamp Solenoid	1	31	
011-12405-107	Bracket; Compensator Plate	1	31	
011-12409-200	Compensator Plate	1	31	
011-12410-003	Plunger Pin; Clamp Solenoid	1	31	
011-12411-000	Gear; Clamp Motor	1	31	
011-12412-006	Spacer; Compensator Plate	2	31	
011-13106-006	Frame B; Paper Receiving Tray	1	39	
011-13107-002	Catch Plate; P. -Rcv. -T.	1	39	
011-13108-106	Slide Rail A; P. -Rcv. -T.	1	39	
011-13109-102	Slide Rail B; P. -Rcv. -T.	1	39	
011-13110-208	Paper Guide; P. -Rcv. -T.	2	39	
011-13112-103	Shaft; Paper Receiving Tray	1	39	
011-13115-102	Receiving Tray Plate II	1	39	
011-13122-001	Bracket; Magnet Catch; P. -Rcv. -T.	1	5	
011-13134-000	Damper; Cover Plate; Suction	1	35, 37	
011-13135-006	Pin; Paper Guide	2	39	
011-13141-006	Spring; Paper Guide; P. -Rcv. -T.	2	39	
011-13142-002	Paper Guiding Arm F; P. -Rcv. -T.	1	39	

Part No.	Part Name	Q'ty	Page	Unit Value
011-13143-009	Paper Guiding Arm R; P. -Rcv. -T.	1	39	
011-13144-005	Set Plate F; P.-Rcv. T.	1	3, 5	
011-13146-008	Set Plate R; P.-Rcv. T.	1	3, 5	
011-13201-106	Suction Cover (Upper)	1	35	
011-13204-008	Pulley; Suction Motor	1	35, 37	
011-13205-101	Cover Plate; Suction	1	35	
011-13206-205	Suction Fan Cover	1	35, 37	
011-13212-000	Fulcrum Plate; Gear Pulley; Suction	1	35	
011-13220-003	Transfer Belt	3	35	
011-13224-106	Bracket; De-electricity Brush; Suction	1	35, 37	
011-13225-102	De-electricity Brush	1	35, 37	
011-13231-005	De-electricity Brush; P. -Rcv.	1	35	
011-13232-109	Suction Cover (Lower)	1	35	
011-13233-008	Dust-proof Cover 1; Rcv.	1	35	
011-13234-004	Dust-proof Cover 2; Rcv.	1	35	
011-13236-007	Dust-proof Sponge 2; Rcv.	1	35	
011-13237-003	Dust-proof Tape 1; Rcv.	1	35	
011-13238-000	Dust-proof Tape 2; Rcv.	1	35	
011-13301-100	Lever; Separator	1	33	
011-13304-002	Shaft; Separator	1	33	
011-13306-005	Collar A; Separator	2	33	
011-13307-109	Adj. Stopper; Separator	1	33	
011-13310-002	Hook Plate	2	33	
011-13311-009	Release Lever	1	33	
011-13312-005	Separator	1	33	
011-13916-008	Boss; JS Bracket	2	85	
011-14115-009	Linking Plate; M. -Rmv. Hook	1	67	
011-14120-207	Front Cover; M.-Rmv.	1	3, 5	
011-14121-009	Pulley B; M. -Rmv.	1	67	
011-14170-000	Master Removal Hook	2	67	
011-14408-006	Bracket; Disposal Box SW	1	67	
011-14421-207	Guide Cam; Disposal Box	2	69	
011-14422-203	Guide Spring; Disposal Box	1	69	
011-14427-000	Lock Shaft; Disposal Box	1	69	
011-14428-007	Lock Spring (Right)	1	69	
011-14429-003	Lock Spring (Left)	1	69	
011-14502-002	Inner Cover	1	3, 5	
011-15001-007	Support Shaft	2	59	
011-15004-006	Fulcrum; TPH	2	63	
011-15009-105	Catch Roller (Lower); M. -M.	1	59	
011-15010-006	Shaft; Open/Close Hook	1	63	
011-15013-005	Open/Close Hook	1	63	
011-15018-007	Pulley; Write Pulse motor	1	31	
011-15034-002	Bracket; De-electricity Brush; T-TPH	1	63	
011-15035-009	Protection Sheet A; TPH	1	63	

Part No.	Part Name	Q'ty	Page	Unit Value
011-15036-005	De-electricity Brush; TPH	1	63	
011-15037-001	Bracket; Loading Pulse Motor	1	31	
011-15039-101	Bracket; Cutter SW	1	65	
011-15041-009	De-electricity Brush	1	59, 63	
011-15043-109	Cutter Guide Sheet (Right)	1	65	
011-15044-105	Cutter Guide Sheet (Left)	1	65	
011-15047-104	Cutter Cover A	1	65	
011-15048-003	Set Sheet A	2	65	
011-15049-000	Set Sheet B	2	65	
011-15051-004	De-electricity Bar; M. -M.	2	63	
011-15055-000	Spring (Left); M. -M.	1	63	
011-15056-006	Spring (Right); M. -M.	1	63	
011-15098-000	Hook Spring	2	63	
011-15102-202	Cutter Body	1	65	
011-15106-003	Cutter Joint A	1	65	
011-15107-000	Cutter Joint B	1	65	
011-15110-000	Pulley; Loading Roller (Lower)	1	59	
011-15113-000	Bracket; Micro-SW; M. -M.	1	60	
011-15117-005	Cam; Thermal Pressure Motor	1	63	
011-15120-006	Pulley A; Write Roller	1	59	
011-15162-000	Sheet; Master Guide Plate; M. -M.	2	59	
011-15169-102	Cutter Guide Sheet III	1	65	
011-15176-001	Cutter Guide IV	1	65	
011-15177-008	Master Guide III	2	65	
011-15179-000	Bracket; Cutter Motor	1	65	
011-15181-005	Brake Spring; Cutter	1	65	
011-15182-001	Cam II; Cutter SW	1	65	
011-15183-008	Support Bracket; Cutter Roller	1	65	
011-15542-008	Write Pulse Motor	1	31	
011-15704-105	Bracket; TPH	1	63	
011-15708-100	Switch Cam	1	63	
011-15710-008	Bracket; Micro-SW	1	63	
011-15716-006	Pressure Assist Plate	2	63	
011-15717-002	Bracket; Pressure Assist Plate; K-TPH	2	63	
011-15718-106	Spring; TPH Pressure	2	63	
011-15722-006	Fulcrum II; M. -M.	2	63	
011-15733-008	De-electricity Brush; K-TPH	1	63	
011-15734-004	Bracket; De-electricity Brush; K-TPH	1	63	
011-15751-006	Bracket; Pressure Assist Plate; T-TPH	2	63	
011-17046-105	Reinforce Plate; Panel	1	71	
011-17101-009	Front Cover	1	77, 79	
011-17102-005	Magnet Catch Plate; Front	1	77, 79	
011-17105-004	Front Left Cover	1	77, 79	
011-17204-002	Bracket C; Keyboard	1	3, 5	
011-17205-106	Bracket D; Keyboard	1	3, 5	

Part No.	Part Name	Q'ty	Page	Unit Value
011-17206-005	Bracket E; Keyboard	1	3, 5	
011-17209-004	Set Plate; Front Right Cover	2	3, 5	
011-17211-009	Switch Box	1	77, 79	
011-17212-200	Inner Cover A	1	77, 79	
011-17220-008	Blind Plate B; Connector	1	3, 5	
011-41404-004	De-electricity Brush; A4	1	21	
011-41409-006	Guide Cover; Pressure; A4	1	21	
011-41528-005	Feed Board; US	1	9	
011-42101-200	Drum Body; 100US	1	27	
011-42102-206	Drum Body; A4	1	27	
011-43102-102	Receiving Tray Plate II; 100US	1	39	
011-47103-103	Front Right Cover	1	77, 79	
011-47557-007	Back Cover	1	77	
011-60007-008	Rotation SW; A Position	1	77, 79	
011-60020-004	Front Cover Set SW	1	77, 79	
011-60027-106	Photoelectron Disc.	1	13, 17	
011-65004-309	Clamp Solenoid	1	31	
011-65005-100	Lock Solenoid	1	29	
011-65014-002	Cutter Motor	1	65	
011-65018-300	Master Removal Solenoid	1	67	
011-65022-200	Counter	1	72	
011-70022-102	Edging; Face Plate	1	14	
011-70508-005	LCD; DMF5005N	1	83	
011-91222-004	Clutch Base Ass'y		13, 17	
011-91225-100	Main Shaft Ass'y; B4		13	
011-91226-000	Main Shaft Ass'y; A4		13	
011-91227-006	Main Pulley; Main Shaft	2	13, 17	
011-91230-007	Unit/Drive Gear; Transfer Belt	1	31	
011-91245-004	Pressure Solenoid Ass'y	1	13, 17	
011-91320-103	Guide Roller Ass'y		21	
011-91410-200	Pressure Shaft Ass'y; B4		21	
011-91411-001	Pressure Shaft Ass'y; A4		21	
011-91412-008	Pressure Shaft	1	21	
011-91420-000	Pressure Roller Ass'y; B4	1	21	
011-91421-007	Pressure Roller Ass'y; A4	1	21	
011-92106-008	Ass'y; Angular Magnet Plate		27	
011-92320-000	Drum Set SW Ass'y		29	
011-93110-009	Magnet Catch Ass'y; P.-Rcv.-T.		3, 5	
011-93230-004	De-electricity Brush Ass'y		35, 37	
011-93300-002	Separator Ass'y		33	
011-95037-007	K-TPH Ass'y		63	
011-95041-004	Unit/Write Pulse Motor	1	31	
011-95045-212	Unit/Cutter Motor		65	
011-95077-009	Write Roller; 40	1	59	
011-95111-002	Cutter Cover A Ass'y		65	

Part No.	Part Name	Q'ty	Page	Unit Value
011-97210-008	Inner Cover A Ass'y		77, 79	
011-97220-011	Keyboard Bracket D Ass'y		3, 5	
012-17001-109	Back Cover; FB	1	79	
014-11204-002	Spring II; Pressure Link	1	13	
014-11205-009	Pressure Adj. Screw II	1	13	
014-11533-006	Spring; Slide Rack	1	9, 11	
014-12216-101	Bottle Guide II Ass'y	1	23	
014-12217-000	Bottle Guide II (Base)	1	23	
014-12227-103	Reverse Rotation Stopper A II	1	23	
014-12295-001	Lever; Bottle Stopper	1	23	
014-12297-004	Spring; Stopper Lever	1	23	
014-12310-108	Rail Bracket; Drum	1	29	
014-12311-007	Shaft; Lock	1	29	
014-12312-100	Lock Hook; Drum Lock	1	29	
014-12315-100	Bracket; Drum Lock	1	29	
014-12318-001	Spring; Lock	1	29	
014-12401-006	Base Plate; Clamp Solenoid	1	31	
014-12402-100	Bracket; Clamp Solenoid	1	31	
014-13101-006	Frame A; Paper Receiving Tray; A3	1	39	
014-13105-109	Back Stop II; P. -Rcv. -T.	1	39	
014-13106-008	Damper; Back Stop; P. -Rcv. -T.	1	39	
014-13110-005	Slide Guide; Paper Guide; Rcv. ; A3	3	39	
014-13113-004	Slide Frame; Paper Guide; Rcv. ; A3	3	39	
014-14469-007	Shaft; Disposal Box Cover; A3	1	69	
014-15013-007	Sheet; Light Absorber; M. -M.	1	63	
014-15144-101	Spring Hanger L; Master Guide Plate	1	59	
014-15145-108	Spring Hanger R; Master Guide Plate	1	59	
014-15146-007	Spring; Master Guide Plate	2	59	
014-15155-006	Mount; Loading Pulse Motor	1	31	
014-17203-008	Cover; Drum Lock	1	29	
014-17205-108	Bracket; Counter; 63 En	1	72	
014-17206-104	Bracket; Counter; 63 Pic.	1	72	
014-17207-003	Back Cover; Counter	1	72	
014-91220-003	Unit/Drive		13, 17	
014-91230-009	Pressure Link Ass'y		13	
014-92350-008	Unit/Drum Lock		29	
014-93100-102	Unit/Paper Receiving Tray; A3		39	
014-93105-200	Unit/Paper Receiving Tray; A3; 100US		39	
017-11111-006	Bracket; P. -Rcv. Sensor 1 (Receive)	1	33	
017-11201-102	Bracket A; Sensor	1	13, 17	
017-11202-001	Bracket B; Sensor	1	13, 17	
017-11204-004	Guide Plate; Face Plate	1	14	
017-11208-000	Base Shaft Plate; Pressure	1	18	
017-11209-103	Face Plate; Main Shaft	1	17	
017-11214-000	Pressure Link; Top	1	17	

Part No.	Part Name	Q'ty	Page	Unit Value
017-11215-006	Pressure Link; Bottom	1	17	
017-11216-002	Link Boss A	1	17	
017-11217-009	Link Boss B	1	17	
017-11223-009	Linking Plate; Drive Base	1	17	
017-11224-005	Link Spacer	1	17	
017-11225-001	Spring; Pressure Link	1	17	
017-11226-008	Spring B; Pressure Link	1	17	
017-11227-004	Pressure Adj. Screw	1	17	
017-11229-007	Bracket; Pressure Control Motor	1	31	
017-11231-001	Bracket A; Pressure Control	1	17	
017-11232-105	Bracket B; Pressure Control	1	18	
017-11234-000	Spring; Linking Plate	1	17	
017-11237-000	Cam; Pressure Roller; B4	1	17	
017-11238-006	Cam; Pressure Roller; A4	1	17	
017-11240-000	Print Positioning Motor	1	31	
017-11301-107	Shaft; Timing Roller	1	21	
017-11302-006	Bracket; Timing Roller	1	21	
017-11503-001	Bracket; P. -F. -T.	1	9, 11	
017-11504-008	Paper Feed Tray	1	9, 11	
017-11511-004	Slide Rack F; P. -F. -T.	1	11	
017-11512-000	Slide Rack; P. -F. -T.	2	9, 11	
017-11513-007	Actuator Plate; P. -F. -T.	1	11	
017-11516-006	Size Gear; P. -F. -T.	1	11	
017-11517-002	Feed Board II	1	11	
017-11518-203	Bracket; Size VR; P. -F. -T.	1	11	
017-11519-005	Lead SW Cover; P. -F. -T.	1	11	
017-11530-009	Feed Board II; US	1	11	
017-11548-005	Connector Cover	1	9, 11	
017-11553-009	Nut Holder	1	9	
017-11602-107	Link Plate; Elevator	1	7	
017-11640-009	Bracket; Elevator Spring	1	7	
017-11641-005	Spring; Elevator	2	7	
017-11648-000	Bracket; Lower Limit Sensor	1	7	
017-11649-006	Gear; Elevator	1	7	
017-11704-007	Guide Plate (Upper)	1	21	
017-11706-000	Sheet; Guide Plate	1	21	
017-11707-006	Bracket; Stripper Unit	1	21	
017-11710-007	Guide Plate (Lower); 49	1	21	
017-11801-002	Cover; Pickup Roller	1	7	
017-11802-009	Bracket; Feed Tray Safety SW	1	7	
017-11805-008	Bracket; P. -F. Pressure Adj. Lever	1	7	
017-11808-007	Hook; P. -F. Pressure Adj.	1	7	
017-11809-305	Spring B; P. -F Pressure Adj.	1	7	
017-11810-206	Bracket; Upper Limit Sensor	1	7	
017-11811-008	Shaft; Pickup Roller	1	7	

Part No.	Part Name	Q'ty	Page	Unit Value
017-11812-004	Shaft; Scraper	1	7	
017-11813-108	Holder Plate; Scraper	1	7	
017-11817-006	Lock Ring	4	7	
017-11818-002	Collar; Scraper	1	7	
017-11819-009	Spring F; Safety SW	1	7	
017-11820-007	Spring B; Safety SW	1	7	
017-12001-107	Drum Body Support (Right)	1	27	
017-12201-203	Frame; Drum	1	23	
017-12203-001	Bracket B; Connector; Drum	1	29	
017-12204-008	Bracket; Drum Control PCB	1	23	
017-12205-101	Position A Plate	1	27	
017-12206-000	Position C2 Plate	1	27	
017-12207-007	Locking Plate; Drum	1	23	
017-12209-107	Drum Cover (Upper)	1	24	
017-12210-300	Drum Cover (Lower)	1	24	
017-12211-004	Bracket; Stopper Lever	1	23	
017-12213-007	Inner Cover; Drum	1	23	
017-12215-000	PCB Cover; Drum	1	23	
017-12216-103	Drum Lever	1	23	
017-12219-102	Separate Sheet; A4	2	27	
017-12220-003	Position C1 Plate	1	27	
017-12225-005	Sponge; Separator Guide Plate	1	27	
017-12226-001	Separator Guide Plate II	1	27	
017-12409-009	Bracket; Angular Sensors	1	31	
017-12601-104	Drum Holder	1	29	
017-12604-006	Lever; Drum Holder	1	29	
017-12605-100	Lever Base; Drum Holder	1	29	
017-12606-009	Shaft; Drum Holder	1	29	
017-12607-005	Spring; Drum Holder	1	29	
017-13201-207	Face Cover W; Suction	1	37	
017-13205-008	Shaft; Jump Wing	2	37	
017-13206-004	Jump Wing (F); Suction	1	37	
017-13207-000	Jump Wing (R); Suction	1	37	
017-13208-007	Wing Plate; Suction	2	37	
017-13210-001	Spring; Belt Roller; Suction	1	37	
017-13211-008	Shaft Plate; Belt Roller; Suction	1	37	
017-13216-000	Belt Roller; Suction	1	37	
017-13219-009	Suction Cover W (Upper)	1	37	
017-13220-007	Cover; Paper Rcv. Sensor 1	1	37	
017-13221-003	Cover; Paper Rcv. Sensor 2	1	37	
017-13222-107	Shaft; Wing Cam; Suction	1	37	
017-13223-006	Cam Gear; Suction	1	37	
017-13224-207	Wing Cam (F); Suction	1	37	
017-13225-106	Roller Cam; Suction	1	37	
017-13226-102	Wing Cam (R); Suction	1	37	

Part No.	Part Name	Q'ty	Page	Unit Value
017-13228-008	SW Cam; Suction	1	37	
017-13229-101	Adj. SW Plate; Suction	1	37	
017-13232-005	Bracket; Suction Fan	1	37	
017-13233-001	Seal	1	35, 37	
017-13235-004	Idler Shaft; Suction	1	37	
017-13236-108	Belt Idler; Suction	1	37	
017-13237-007	Fulcrum Plate II; Gear Pulley; Suction	1	37	
017-13239-000	Spring; Jump Wing (F)	1	37	
017-13240-008	Stay; Suction	1	37	
017-13241-004	Spring; Jump Wing (R)	1	37	
017-13242-000	Shaft Plate; Wing Gear	1	37	
017-13246-006	Wing Gear; Suction	1	37	
017-13247-002	Drive Shaft; Suction	1	37	
017-13248-009	Pulley; Wing Motor	1	37	
017-13249-200	Transfer Belt	3	37	
017-13250-003	Cover Plate W; Suction	1	37	
017-13251-000	Brush; Suction	1	37	
017-13252-006	Side Flap (F); Suction	1	37	
017-13255-005	Side Flap (R); Suction	1	37	
017-13257-008	Spring; Side Flap; Suction	2	37	
017-13271-108	Face Cover; Suction	1	35	
017-13275-006	Dust-proof Sponge; Rcv.	1	35	
017-13276-002	Dust-proof Sponge (Lower); Rcv.	1	35	
017-13277-009	Suction Fan	1	35	
017-13278-005	Transfer Shaft; Suction	2	35	
017-13301-007	Release Lever; Separator	1	33	
017-13311-002	Nozzle; Separation Fan	1	59	
017-13312-009	Cover Sheet; Separation Fan	1	59	
017-13901-004	Positioning Bracket; JS III	1	85	
017-13902-000	Bracket; JS III	1	85	
017-14101-109	Right-Side Frame; M. -Rmv.	1	67	
017-14102-300	Left-Side Frame; M. -Rmv.	1	67	
017-14103-004	Stay A; M. -Rmv.	1	67	
017-14104-000	Stay B; M. -Rmv.	1	67	
017-14105-104	Base Plate; M. -Rmv.; B4	1	67	
017-14106-100	Guide Plate; M. -Rmv.; B4	1	67	
017-14107-107	Vertical Transport Roller (Down)	1	67	
017-14108-006	Shaft; M. -Rmv. Hook; B4	1	67	
017-14111-104	Sensor Bracket; M. -Rmv.	1	67	
017-14114-006	Set Collar; M. -Rmv.	2	67	
017-14115-002	Screw; M. -Rmv.	2	67	
017-14116-009	Fulcrum; Master Guide; M. -Rmv.	2	67	
017-14117-005	Box Guide	2	67	
017-14120-103	Master Guide; M. -Rmv.	1	67	
017-14121-002	Spring; Master Guide; M. -Rmv.	1	67	

Part No.	Part Name	Q'ty	Page	Unit Value
017-14122-009	Bracket; M. -Rmv. Solenoid	1	67	
017-14124-109	Upper Stay; M. -Rmv.	1	67	
017-14125-008	Guide Boss; M. -Rmv.	2	67	
017-14126-101	Base Plate; M. -Rmv.; A4	1	67	
017-14127-108	Guide Plate; M. -Rmv.; A4	1	67	
017-14128-104	Vertical Transport Roller (Down); A4	1	67	
017-14129-003	Shaft; M. -Rmv. Hook; A4	1	67	
017-14131-105	Upper Holder B; V. -Transport Roller	1	67	
017-14135-003	Upper Holder A; V. -Transport Roller	1	67	
017-14138-100	Vertical Transport Roller (Up); B4	1	67	
017-14141-100	Vertical Transport Roller (UP); A4	1	67	
017-14142-000	Set Plate F; M. -Rmv.	1	67	
017-14143-006	Set Plate R; M. -Rmv.	1	67	
017-14144-002	Fixing Plate F; M. -Rmv.	1	67	
017-14145-009	Fixing Plate R; M. -Rmv.	1	67	
017-14146-005	Bracket; Aero Guide Sheet	1	59	
017-14147-001	Aero Guide Sheet	1	59	
017-14148-008	Hook Spring F; M. -Rmv.	1	67	
017-14149-004	Hook Spring R; M. -Rmv.	1	67	
017-14151-203	Disposal Box	1	69	
017-14152-102	Disposal Box Cover	1	69	
017-14153-109	Disposal Box Cover B	1	69	
017-14154-008	Guide Plate; Disposal Box; B4	1	69	
017-14155-004	Lever Frame; Disposal Box	1	69	
017-14159-107	H. -Lever (F); Disposal Box	1	69	
017-14161-101	H. -Lever (R); Disposal Box	1	69	
017-14162-000	Guide Shaft; Disposal Box	1	69	
017-14163-007	Disposal Shaft	1	69	
017-14165-107	Shaft; Compression Plate	1	69	
017-14166-103	Compression Plate; Disposal Box	1	69	
017-14167-002	Guide Spring B; Disposal Box	1	69	
017-14171-000	Guide Plate; Disposal Box; A4	1	69	
017-15005-006	Frame A; M. -M.	1	63	
017-15006-002	Bracket; De-electricity Brush	1	63	
017-15007-106	Catch Roller (Upper)	1	63	
017-15008-005	Shaft; Load Roller	1	63	
017-15009-001	Load Roller	3	63	
017-15010-000	Cover A; M. -M.	1	63	
017-15011-006	Copy Guide Plate (Lower); B4	1	63	
017-15014-005	Copy Guide Plate (Lower); A4	1	63	
017-15015-001	Open/Close Hook II	1	63	
017-15017-004	Plate A; Stocker	1	59	
017-15018-000	Plate B; Stocker	1	59	
017-15101-005	Load Roller (Lower); M. -M.	1	59	
017-15102-001	Master Guide Plate	1	59	

Part No.	Part Name	Q'ty	Page	Unit Value
017-15103-008	Guide Plate; Load	1	59	
017-15104-004	Bracket; De-electricity Brush	1	59	
017-15107-003	Metal Fixing Plate	1	59	
017-15108-000	Fixing Plate; Bearing	1	59	
017-15111-000	Bracket; Master Sensor	1	59	
017-15113-003	Bracket; Wire Harness	1	3, 5	
017-15120-000	Set Guide Plate; B4	1	59	
017-15121-006	Set Guide Plate; A4	1	59	
017-15124-005	Stay; Set Guide Plate	2	59	
017-15213-008	Holder Stay R	1	59	
017-15214-004	Holder Stay F	1	59	
017-15217-003	Cover; Master Roll Holder	1	59	
017-15229-001	Flange R; Master Roll	1	60	
017-15234-005	Set Plate; Master Holder Cover	1	59	
017-15261-002	Master Roll Holder II; B4	1	59	
017-15265-008	Guide Flange B II; Master Holder	1	59	
017-15266-004	Guide Flange A II; Master Holder	1	59	
017-15269-003	Flange; Master Holder	1	59	
017-15270-001	Spring Holder; Guide Flange II	1	59	
017-15271-008	Master Roll Holder II; A4	1	59	
017-15273-000	Spring; Guide Flange II	1	59	
017-15274-104	Shaft; Guide Flange II	1	59	
017-15281-003	Guide Holder D; Master Holder	1	59	
017-15291-009	Tension Plate; Master Holder	1	59	
017-15292-005	Bracket; Tension Plate	1	59	
017-15293-001	Shaft; Tension Plate	1	59	
017-15294-008	Spring; Tension Plate	1	59	
017-15295-004	Tension Sheet; Master Holder	1	59	
017-15296-000	Flange F II; Master Roll	1	60	
017-15303-007	Cutter Cover	1	65	
017-15306-006	Bracket; Master Positioning Sensor	1	65	
017-15310-003	Master Guide Stopper Plate	1	65	
017-15311-000	Master Guide Stopper Cushion	1	65	
017-16001-209	ADF Base Frame	1	3	
017-16006-103	Bottom Blind Plate; ADF	1	3	
017-16007-002	Bracket B; Back Cover	1	3	
017-16008-009	Bracket A; Back Cover	1	3	
017-16009-005	Shaft; Original Tray	2	77	
017-16021-005	Rack Cover; ADF Cover	1	77, 79	
017-16101-009	Lift Base (F); Upper Cover	1	41	
017-16103-001	Lift Base (R); Upper Cover	1	41	
017-16107-007	Shaft Base; Upper Cover	2	41	
017-16121-000	Bracket; Upper Cover Set SW	1	3, 5	
017-16122-006	Shaft A; Upper Cover Set SW	1	3, 5	
017-16123-002	Shaft B; Upper Cover Set SW	1	3, 5	

Part No.	Part Name	Q'ty	Page	Unit Value
017-16124-106	Spring; Upper Cover Set SW	1	3, 5	
017-16201-208	Upper Rear Frame	1	3	
017-16206-005	PCB Bracket	1	3	
017-16211-106	Fulcrum; Hook Catch	2	3	
017-16244-101	Plate Spring; Interlock Switch	1	72	
017-16245-000	Shaft; Interlock Switch	2	72	
017-16250-004	Cover; Interlock Switch	1	41	
017-16253-100	Bracket; Interlock Switch	1	72	
017-16256-100	Lever; Interlock Switch	1	41	
017-16259-001	Fulcrum; Interlock Switch	1	41	
017-16321-106	Lift Arm (F); Upper Cover	1	41	
017-16322-102	Lift Arm (R); Upper Cover	1	41	
017-16325-101	Lift Spring (F); Upper Cover	1	41	
017-16326-108	Lift Spring (R); Upper Cover	1	41	
017-16328-003	Lift Collar; Upper Cover	2	41	
017-16331-101	Hook; Upper Cover	1	41	
017-16332-108	Lever; Upper Cover	1	41	
017-16333-007	Hook Spring; Upper Cover	1	41	
017-16334-003	Back Plate; Upper Cover	1	41	
017-16340-003	Frame; Upper Cover	1	41	
017-16348-004	Hook Shaft (R); Upper Cover	1	41	
017-16501-007	Original Guide Base (F); ADF	1	43, 45	
017-16502-003	Read Roller; ADF	1	47, 49	
017-16503-000	Frame; Shading	1	47, 49	
017-16504-006	Hook Plate; ADF	1	47, 49	
017-16505-002	Rib; Shading	1	47, 49	
017-16506-009	Original Guide Base (R); ADF	1	43, 45	
017-16507-307	Original Guide (F); ADF	1	47, 49	
017-16508-001	Frame B; Original Guide	1	43, 45	
017-16509-008	Bracket; De-electricity Brush; ADF	1	47, 49	
017-16510-006	Transfer Roller; ADF	1	47, 49	
017-16511-002	Pickup Arm; ADF	1	43, 45	
017-16512-009	Stripper Arm; ADF	1	43, 45	
017-16513-005	Exit Roller (Upper); ADF	1	47, 49	
017-16514-001	Open Lever; ADF	1	47, 49	
017-16516-004	Plate Cover R; ADF	1	43, 45	
017-16517-000	Sheet; Shading	1	47, 49	
017-16518-007	Bracket; ADF PCB	1	43, 45	
017-16519-003	Bracket; ADF Sensor	1	47, 49	
017-16520-001	Adj. Plate R; Scanner	1	43	
017-16521-008	Adj. Plate L; Scanner	1	43	
017-16522-004	Exit Pulley; ADF	1	47, 49	
017-16523-000	Main Gear; ADF	1	47, 49	
017-16524-007	Motor Cover; ADF	1	47, 49	
017-16525-003	Metal; 8M	2	43, 45	

Part No.	Part Name	Q'ty	Page	Unit Value
017-16526-000	Housing; 8P	4	47, 49	
017-16527-006	Stripper Collar; ADF	1	47, 49	
017-16528-002	Transfer Pulley; ADF	1	47, 49	
017-16529-009	Housing; Read Roller	2	47	
017-16530-007	Pulley A; ADF	4	47, 49, 53	
017-16531-003	Tension Pulley; ADF	1	47, 49	
017-16532-000	Shaft; Stripper Roller; ADF	1	47, 49	
017-16533-006	Pickup Roller (Upper); ADF	1	47, 49	
017-16534-002	Pulley; Read Roller	1	47	
017-16534-100	Pulley; Read Roller	1	49	
017-16535-009	Stripper Roller; ADF	1	47, 49, 53	
017-16537-001	Arm; Original Feed Solenoid	1	43, 45	
017-16538-008	Gear; ADF	1	47, 49, 53	
017-16539-004	Original Stripper Pad	1	43, 45	
017-16540-002	Metal; 6	3	43,45,47,49	
017-16542-005	Roller (Lower); ADF	3	43, 45, 51	
017-16543-001	Pickup Shaft; ADF	1	43, 45	
017-16544-008	Shaft; Stripper Arm	1	43, 45	
017-16545-004	De-electricity Brush A; ADF	2	47, 49	
017-16546-000	De-electricity Brush B; ADF	1	47, 49, 53	
017-16547-007	Spring; ADF Lever	1	47, 49	
017-16548-003	Spring; Stripper Arm	2	43, 45	
017-16549-000	Spring; Original Feed Solenoid	1	43, 45	
017-16550-105	Spring; Shading	1	47, 49	
017-16551-004	Cover; Original Feed Solenoid	1	43, 45	
017-16553-007	Spring R; ADF Hinge	1	43, 45	
017-16554-003	Spring L; ADF Hinge	1	43, 45	
017-16555-000	Roller Spring; ADF	5	43, 45, 51	
017-16557-002	Link Joint; Shading	1	47, 49	
017-16558-009	Link Plate; Shading	1	47, 49	
017-16559-005	Gear Cover; ADF	1	43, 45	
017-16560-003	Actuator; ADF SW	1	43, 45, 51	
017-16561-000	Metal; 8M (2)	4	47, 49	
017-16562-006	Spring; Read Roller	2	47, 49, 53	
017-16563-002	Spacer; ADF Hinge R	1	43, 45	
017-16564-009	Spacer; ADF Hinge L	1	43, 45	
017-16565-005	Upper Frame; ADF	1	47	
017-16565-102	Upper Frame; ADF	1	49	
017-16566-001	Bracket; ADF SW	1	43, 45	
017-16567-008	Tension Plate; ADF	1	47, 49	
017-16568-004	Fulcrum; Shading	1	47, 49	
017-16569-000	Side Frame L; Scanner	1	43	
017-16569-108	Side Frame (II) L; Scanner	1	45	
017-16570-009	Side Frame R; Scanner	1	43	
017-16570-106	Side Frame (II) R; Scanner	1	45	

Part No.	Part Name	Q'ty	Page	Unit Value
017-16571-005	ADF Motor	1	47, 49	
017-16572-001	Read Pulse Motor	1	47, 49	
017-16573-008	Original Feed Solenoid	1	43, 45	
017-16574-004	Shading Solenoid	1	47, 49	
017-16575-000	Original Det. Sensor	1	47, 49	
017-16576-007	Original Regist. Sensor	1	47, 49	
017-16577-003	Original Out Sensor	1	43	
017-16579-006	Original IN Sensor (Send)	1	47, 49	
017-16580-209	Original IN Sensor (Receive)	1	43, 45	
017-16581-000	ADF SW	1	43, 45	
017-16582-007	Wire Harness; ADF	1	43, 45	
017-16586-002	Link Plate; ADF	1	47, 49	
017-16587-009	Spacer; Exit Pulley	1	47, 49	
017-16588-005	Belt; 44	1	47, 49, 53	
017-16589-001	Belt; 120	1	47, 49	
017-16590-000	Belt; 56	1	47, 49	
017-16591-006	Fulcrum R; Hook Plate	1	47, 49	
017-16592-002	Spacer; Scanner Adj. Plate	4	43	
017-16593-009	Spacer; Shaft Hinge	2	43, 45	
017-16594-005	Sheet; Sensor	1	47, 49	
017-16595-001	Mount; Read Pulse Motor	1	47, 49, 53	
017-16596-008	Spring; Scanner Adj. Plate	2	43	
017-16597-004	Sheet F; Sensor	1	47, 49	
017-16598-000	Damper Plate; Pickup; ADF	1	43, 45, 51	
017-16599-007	Damper Plate; Shading	1	47, 49	
017-16600-005	Pickup Pad Holder; ADF	1	43, 45	
017-16601-001	Pickup Pad; ADF	1	43, 45	
017-16602-008	Sheet Guide (A); ADF	1	47, 49	
017-16603-004	Sheet Guide (B); ADF	1	47, 49	
017-16604-108	Original Out Sensor	1	45	
017-16605-007	Exit Wheel; ADF	4	43, 45, 51	
017-16606-003	Housing (A); Read Roller	1	49	
017-16607-000	Housing (B); Read Roller	1	49	
017-17007-006	Mylar Sheet; Panel SW	1	71	
017-17008-002	Sheet B; Panel	1	71	
017-17009-009	Sheet A; Panel	2	71	
017-17050-009	Bracket A; Keyboard	1	71	
017-17051-005	Bracket B; Keyboard	1	71	
017-17060-101	Key Board Cover	1	71	
017-17101-100	ADF Cover	1	77	
017-17102-106	Cover B; ADF	1	43, 45	
017-17103-005	Original Side Guide (R)	1	77	
017-17104-001	Original Side Guide (L)	1	77	
017-17105-008	Slide Rack; Original Holder	2	77, 79	
017-17111-008	Upper Cover	1	41	

Part No.	Part Name	Q'ty	Page	Unit Value
017-17121-100	Original Tray	1	77	
017-17200-000	Upper Hinge	1	3, 5	
017-17210-006	Bottom Plate (Right)	1	3, 5	
017-17211-002	Bracket; Hinge	1	3, 5	
017-17214-001	Lower Hinge; Front	1	77, 79	
017-17217-000	Bottom Plate (Left)	1	3, 5	
017-17220-109	Carrying Grasp	4	3, 5	
017-17221-008	Mount; Connector	1	3, 5	
017-17222-004	Blind Plate C; Connector	2	3, 5	
017-17223-000	Blind Plate D; Connector	3	3, 5	
017-17224-007	Mount II; Connector	1	3, 5	
017-17230-007	Bracket B; Back Cover	1	3, 5	
017-17232-107	Side Cover; Power Supply	1	71	
017-17233-103	Cover Plate; Power Supply	1	72	
017-17242-005	Bracket (L); Option PCB	1	75	
017-17243-001	Bracket (Upper); Option PCB	1	75	
017-17244-008	Bracket (Lower); Option PCB	1	75	
017-17245-004	Bracket (R); Option PCB	1	75	
017-18100-204	Bracket (R); System PCB	1	75	
017-18101-103	Bracket (L); System PCB	1	75	
017-18102-100	Reinforce Plate; Image PCB	1	75	
017-18103-106	Reinforce Plate; System PCB	1	75	
017-18130-103	Bracket; Motor Control PCB	1	75	
017-51000-100	ADF PCB	1	43, 45, 53	
017-51003-109	Image Processing PCB	1	75	
017-51004-300	Image Processing PCB S	1	75	
017-51006-205	Motor Control PCB	1	75	
017-51008-003	Power Supply PCB IV H100	1	71	
017-51009-000	Power Supply PCB IV H200	1	71	
017-51010-008	Sub-Power Supply PCB	1	63	
017-51011-500	System PCB	1	75	
017-51012-000	Option PCB A	1	75	
017-51013-007	Panel Control PCB	1	71	
017-51014-208	Panel Display PCB	1	71	
017-51015-000	Panel SW PCB	1	71	
017-51016-006	Panel Control PCB II	1	71	
017-51017-100	Panel Display PCB II	1	71	
017-51018-009	Panel SW PCB II	1	71	
017-51020-305	Drum Control PCB	1	23	
017-51022-006	Option PCB B	1	75	
017-55000-007	Wire Harness; S. Image Scanner	2	43, 45, 63, 75	
017-55003-006	Wire Harness; S. ADF	2	43, 45, 75	
017-55007-303	Inlet Terminal; 100V	1	72, 75	
017-55008-407	Wire Harness; CN7	1	75	
017-55009-004	Wire Harness; CN8	2	29, 72, 75	

Part No.	Part Name	Q'ty	Page	Unit Value
017-55010-304	Wire Harness; CN9	1	75	
017-55011-106	Wire Harness; S. Power	1	63	
017-55012-005	Wire Harness; System-Power	1	71, 75	
017-55013-001	Wire Harness; Image-Power	1	71, 75	
017-55014-105	Wire Harness; Panel-Power	1	71	
017-55015-004	Wire Harness; Motor Con. -Power	1	71, 75	
017-55016-000	Wire Harness; Panel-System	1	71, 75	
017-55017-007	Wire Harness; Motor Con. -System	1	75	
017-55018-100	Wire Harness; CN9; 49	1	75	
017-55019-000	Wire Harness II; Motor Con. -Power	1	71, 75	
017-55020-008	Wire Harness; TPH-Power	1	63	
017-55023-104	Wire Harness; M. -M. -Image	1	63, 75	
017-55025-107	Wire Harness; M. -M. -Image; T40	1	63, 75	
017-55028-106	Wire Harness; Drum (R)	1	23	
017-55029-005	Wire Harness; Drum (L)	1	23	
017-55031-000	Wire Harness; Elevator Motor	1	75	
017-55032-006	Wire Harness; Feed Tray Safety SW	1	7	
017-55033-207	Wire Harness; P. -F. -T.	1	9	
017-55035-102	Wire Harness; M. -Rmv.	1	67	
017-55036-001	Wire Harness; Suction	1	37	
017-55037-300	Inlet Terminal; 200V	1	72, 75	
017-55038-209	Wire Harness II; P. -F. -T.	1	11	
017-55039-108	Wire Harness; Guide Plate; 49	1	21	
017-55042-001	Flexible Flat Wire; Panel	1	71	
017-55043-008	Flexible Flat Wire 14P; Panel	1	71	
017-55048-000	Wire Harness; RA-TM2400	1	85	
017-55049-006	Wire Harness; RA-RC Sorter Inner	1	85	
017-55052-007	Wire Harness; Counter III	1	85	
017-60000-007	Master Positioning Sensor	1	65	
017-60001-003	Master Removal Sensor	1	67	
017-60003-006	Paper Sensor	1	21	
017-60005-009	Cassette Det. Sensor; P. -F. -T.	1	11	
017-60006-200	Sensor; KR820	2	59, 67	
017-60007-001	Upper Limit Sensor	1	7	
017-60010-002	Switch A	2	3, 5, 67	
017-60011-009	Clamp Safety Switch	1	31	
017-60012-005	Paper Receiving Sensor (Send)	1	35, 37	
017-60013-001	Paper Receiving Sensor (Receive)	1	33	
017-60014-105	Master End Sensor (Send)	2	59	
017-60015-004	Master End Sensor (Receive)	1	63	
017-60016-000	Angular Sensor	1	31	
017-60018-003	Stack Paper Feeding SW	1	21	
017-60019-107	Bottle Set SW II	1	23	
017-60020-300	Drum PCB	1	24	
017-60021-101	Image Scanner	1	43, 45	

Part No.	Part Name	Q'ty	Page	Unit Value
017-60022-108	Image Scanner; 49	1	43, 45	
017-60025-000	Micro-SW Ass'y 3	1	7	
017-60031-000	Encoder Sensor	1	13, 17	
017-65000-005	Thermal Pressure Motor III Ass'y	1	63	
017-65002-008	Elevator Motor	1	7	
017-65003-004	M. -Rmv. Vertical Transport Motor	1	67	
017-65004-205	Clamp Motor	1	31	
017-65005-309	Pressure Control Motor	1	31	
017-65006-003	Wing Motor; Suction	1	37	
017-65008-006	Suction Motor	1	35	
017-65010-108	Separation Fan	1	59	
017-65011-007	Loading Fan; Stocker	1	59	
017-65015-002	Loading Pulse Motor	1	31	
017-65016-009	Inking Motor	1	24	
017-70003-	Motor-CTL ROM	1	75	
017-80002-	System ROM; RA	1	75	
017-91206-002	Pressure Det. Ass'y		17	
017-91211-103	Unit/Main Motor; T		13, 17	
017-91216-105	Main Motor Ass'y; T	1	13, 17	
017-91225-007	Main Shaft Ass'y; B4		17	
017-91226-003	Main Shaft Ass'y; A4		17	
017-91230-000	Pressure Link Ass'y		17	
017-91235-002	Face Plate; Pressure Shaft	1	13, 17	
017-91240-006	Unit/Print Positioning Motor		31	
017-91266-005	Pressure Control Motor Ass'y		31	
017-91310-101	Timing Roller Ass'y		21	
017-91500-105	Unit/Paper-Feed Tray		9	
017-91501-101	Unit/Paper-Feed Tray; US		9	
017-91502-108	Unit/Paper-Feed Tray II		11	
017-91503-007	Unit/Paper-Feed Tray II; US		11	
017-91610-008	Shaft; Elevator	1	7	
017-91620-003	Unit/Elevator Motor		7	
017-91701-003	Unit/Guide Plate; 49		21	
017-91702-000	Unit/Stripper		21	
017-91800-001	Feed Tray Safety SW Ass'y		7	
017-91810-007	Scraper Ass'y		7	
017-91831-004	P. -F. Pressure Adj. Lever Ass'y		7	
017-92100-003	Drum Holder IV Ass'y		29	
017-92101-000	Unit/Drum Screen; B4		27	
017-92102-006	Unit/Drum Screen; US		27	
017-92103-002	Unit/Drum Screen; A4		27	
017-92106-001	Ass'y; Separator Guide Plate II		27	
017-92110-009	Drum Body Ass'y; B4	1	27	
017-92111-005	Drum Body Ass'y; US	1	27	
017-92112-001	Drum Body Ass'y; A4	1	27	

Part No.	Part Name	Q'ty	Page	Unit Value
017-92210-003	Unit/Squeegee		23	
017-92220-009	Unit/Ink Pump		24	
017-92300-002	Unit/Drum Frame		23	
017-92400-007	Unit/Clamp		31	
017-93200-109	Suction Unit		35	
017-93201-008	Suction Unit W		37	
017-93215-009	Paper Receiving Sensor (Receive) Ass'y	1	33	
017-93220-002	Angular Sensor Ass'y		31	
017-93225-004	Suction Fan Ass'y	1	37	
017-93300-006	Separation Fan Ass'y		59	
017-94100-019	Unit/Master Removal; B4		67	
017-94101-015	Unit/Master Removal; A4		67	
017-94110-014	Holder Ass'y; V. -Transport Roller; B4		67	
017-94111-010	Holder Ass'y; V. -Transport Roller; A4		67	
017-94130-104	Unit/Master Disposal Box; B4		69	
017-94135-106	Unit/Master Disposal Box; A4		69	
017-95000-107	Unit/Master Making		63	
017-95001-103	Unit/Master Making; 49		63	
017-95002-100	Unit/Master Making; 59		63	
017-95010-005	Master Loading Unit SW Ass'y		59	
017-95035-008	T-TPH Ass'y (400)		63	
017-95036-004	T-TPH Ass'y (300)		63	
017-95037-000	K-TPH Ass'y (400)		63	
017-95050-007	Unit/Loading Pulse Motor	1	31	
017-95070-008	Set Guide Plate Ass'y; B4		59	
017-95071-004	Set Guide Plate Ass'y; A4		59	
017-95095-000	Stocker Ass'y	1	59	
017-95100-004	Master Sensor Ass'y		59	
017-95240-000	Unit/Master Roll Holder II; B4		59	
017-95241-007	Unit/Master Roll Holder II; A4		59	
017-95245-002	Guide Flange II Ass'y	1	59	
017-95250-006	Damper Gear Ass'y	1	59	
017-95255-008	Tension Ass'y; Master Holder	1	59	
017-95300-100	Unit/Cutter; B4		65	
017-95301-107	Unit/Cutter; A4		65	
017-96000-100	Unit/ADF		45, 49	
017-96100-105	Unit/Upper Rear Frame		3	
017-96110-100	Upper Cover Set SW Ass'y		3	
017-96200-002	Interlock Switch		72	
017-97005-009	Unit/Operation Panel; 42 US		71	
017-97006-005	Unit/Operation Panel; 42 Pic.		71	
017-97007-001	Unit/Operation Panel; 42		71	
017-97015-004	Unit/Operation Panel; 49 US		71	
017-97016-000	Unit/Operation Panel; 49 Pic.		71	
017-97017-007	Unit/Operation Panel; 49		71	

Part No.	Part Name	Q'ty	Page	Unit Value
017-97025-000	Unit/Operation Panel; 4050 US		71	
017-97026-006	Unit/Operation Panel; 4050 Pic.		71	
017-97027-002	Unit/Operation Panel; 4050		71	
017-97052-007	Sub-Panel; 42 US	1	71	
017-97053-003	Sub-Panel; 42 Pic.	1	71	
017-97054-000	Sub-Panel; 42	1	71	
017-97055-006	Sub-Panel Ass'y; 42 US	1	71	
017-97056-002	Sub-Panel Ass'y; 42 Pic.	1	71	
017-97057-009	Sub-Panel Ass'y; 42	1	71	
017-97062-002	Sub-Panel; 49 US	1	71	
017-97063-009	Sub-Panel; 49 Pic.	1	71	
017-97064-005	Sub-Panel; 49	1	71	
017-97065-001	Sub-Panel Ass'y; 49 US	1	71	
017-97066-008	Sub-Panel Ass'y; 49 Pic.	1	71	
017-97067-004	Sub-Panel Ass'y; 49	1	71	
017-97070-005	Sub-Panel Ass'y; 4050 US	1	71	
017-97071-001	Sub-Panel Ass'y; 4050 Pic.	1	71	
017-97072-008	Sub-Panel Ass'y; 4050	1	71	
017-97073-004	Sub-Panel; 4050 US	1	71	
017-97074-000	Sub-Panel; 4050 Pic.	1	71	
017-97075-007	Sub-Panel; 4050	1	71	
017-97100-001	Unit/ADF Cover		77	
017-97110-007	Unit/Upper Cover		41	
017-97300-000	Wire Harness; JS III	1	85	
018-16001-206	Slide Guide; FB-Scanner	1	55	
018-16002-008	Scanner Holder (F)	1	55	
018-16003-101	Scanner Holder (R)	1	55	
018-16004-000	Adj. Pin; Scanner Holder	2	55	
018-16005-007	Guide Wheel; Carriage	2	55	
018-16006-003	Arm (L); Carriage	1	55	
018-16009-002	Arm (R); Carriage	1	55	
018-16011-007	Boss; Carriage	1	55	
018-16012-003	Arm Spring; Carriage	1	55	
018-16013-204	Carriage; Image Scanner	1	55	
018-16017-005	Drive Pulley Shaft; FB-Scanner	1	55	
018-16018-001	Drive Pulley Holder; FB-Scanner	1	55	
018-16019-008	Belt Stand Plate; FB-Scanner	1	55	
018-16020-006	Belt Holder Plate; FB-Scanner	1	55	
018-16022-009	Tension Shaft; FB-Scanner	1	55	
018-16023-005	Tension Holder; FB-Scanner	1	55	
018-16024-001	Tension Plate; FB-Scanner	1	55	
018-16027-000	Tension Spring; FB-Scanner	1	55	
018-16028-007	Bracket; R Pulse Motor	1	56	
018-16029-003	Shock-Absorbent Rubber; R Pulse M.	1	56	
018-16030-001	Wire Stand; FB-Image	1	55	

Part No.	Part Name	Q'ty	Page	Unit Value
018-16031-105	Bracket; FB-Pos. Sensor	2	55	
018-16032-004	Actuator; Stage Cover Sensor	1	55	
018-16035-003	Actuator Spring; Stage Cover Sensor	1	55	
018-16036-107	Slide Shaft; FB-Scanner	2	55	
018-16037-006	Adj. Plate; FB-Slide Shaft	2	55	
018-16038-002	Glass Holder (L)	1	55	
018-16039-009	Glass Holder (R)	1	56	
018-16040-104	Stage Glass	1	55	
018-16042-107	Original Stopper	1	55	
018-16043-006	Cover Plate; Image Flexible Wire	1	55	
018-16044-002	Ground Plate; FB-Scanner	1	55	
018-16045-009	Core Holder	1	55	
018-16047-109	Bracket; Stage Cover Sensor	1	55	
018-16050-304	Main Frame; FB-Scanner	1	55	
018-16060-105	Back Frame; FB-Scanner	1	55	
018-16064-003	Blind Plate; FB-Back Frame	1	55	
018-16065-000	Wire Harness Tubing	1	56	
018-16066-006	Shading Plate (L)	1	55	
018-16067-002	Shading Plate (R)	1	55	
018-16068-106	Carriage Weight (Lower)	1	55	
018-16069-102	Carriage Weight (Upper)	2	55	
018-16201-000	Fulcrum Shaft; FB	1	5	
018-16202-007	Stepped Screw; M6 x 10	2	5	
018-16203-100	Bottom Plate; FB-Scanner	1	55	
018-16207-009	Fulcrum Support Plate; FB	1	5	
018-16210-000	Damper Bottom Bracket (F)	1	56	
018-16212-002	Damper Bottom Bracket (R)	1	56	
018-16214-102	Support Shaft Lock	1	56	
018-16215-001	Support Shaft Holder; FB-Scanner	1	55	
018-16216-008	Lock Plate; Support Shaft	2	5	
018-16217-004	Hook Shaft; FB	1	55	
018-16218-000	Shaft; Hook Base	2	55	
018-16220-005	Hook Base (F); FB-Hook Shaft	1	55	
018-16222-008	Hook Base (R); FB-Hook Shaft	1	55	
018-16223-004	Spring; Hook Shaft	2	55	
018-16224-000	Open Lever; Hook Shaft	1	55	
018-16225-104	Bracket (F); Hook Shaft	1	55	
018-16227-000	Bracket (R); Hook Shaft	1	55	
018-16229-002	Hook Plate (F); FB	1	5	
018-16230-000	Hook Plate (R); FB	1	5	
018-16231-104	Upper Rear Frame; FB	1	5	
018-16235-002	Bracket; Back Cover	1	5	
018-16236-106	Bracket; Interlock Switch FB	1	72	
018-16239-105	Bracket B; Interlock Switch FB	1	72	
018-16241-002	Bracket; Damper Stopper	1	5	

Part No.	Part Name	Q'ty	Page	Unit Value
018-16242-009	Spring; Damper Stopper	1	5	
018-16243-102	Cap; Damper Stopper	1	5	
018-16244-001	Bracket; PI	1	5	
018-16245-008	Blind Plate; Upper Rear Frame	1	5	
018-16249-003	Boss; Interlock Switch FB	1	72	
018-16250-001	Damper Hook; FB-Scanner	2	55	
018-16253-000	Hinge Bracket; FB-Scanner	2	55	
018-16254-007	Plate Spring; Interlock Switch FB	1	72	
018-16255-003	Balance Weight; FB	8	55	
018-16301-200	Scanner Cover (F); FB	1	79	
018-16302-303	Scanner Cover (R); FB	1	79	
018-16303-300	Scanner Cover (Left); FB	1	79	
018-16304-209	Scanner Cover (Right); FB	1	79	
018-16305-205	Cover B; FB-ADF	1	51	
018-16306-007	ADF Cover (F); FB	1	79	
018-16307-003	ADF Cover (R); FB	1	79	
018-16308-000	ADF Cover (Right); FB	1	79	
018-16309-200	Original Tray; FB	1	79	
018-16310-004	Original Side Guide	2	79	
018-16401-107	Stage Cover; FB	1	81	
018-16403-002	LCD Cover; Digitizer	1	83	
018-16406-206	PCB Cover; Stage Cover	1	81, 83	
018-16411-102	Original Holder Cover (Upper); Stage Cover	1	81	
018-16412-303	Original Holder Cover (Lower); Stage Cover	1	81	
018-16413-008	Cover B; Stage Cover	1	81	
018-16415-108	Balance Weight A; Stage Cover	1	81	
018-16416-104	Balance Weight B; Stage Cover	1	81	
018-16417-100	Balance Weight C; Stage Cover	1	81	
018-16418-000	Cord Cap; Stage Cover	1	81	
018-16420-004	Actuator Plate; Stage Cover	1	81, 83	
018-16425-006	Stage Pad (W); Stage Cover	1	81, 83	
018-16427-009	Stylus Pen III	1	83	
018-16431-006	LCD Filter; Digitizer	1	83	
018-16501-004	Stripper Pad; FB-ADF	1	51	
018-16502-000	Glass Plate; Image Scanner	1	51	
018-16503-007	Main Gear; FB-ADF	1	53	
018-16504-003	Stepped Screw; M4 x 13	1	53	
018-16506-006	Stopper Plate; FB-ADF	1	53	
018-16507-100	Tension Plate; FB-ADF	1	53	
018-16508-009	Side Frame L; FB-ADF	1	51	
018-16509-005	Side Frame R; FB-ADF	1	51	
018-16510-003	Tension Pulley B; FB-ADF	1	53	
018-16512-006	Upper Frame; FB-ADF	1	53	
018-16513-002	Transfer Roller; FB-ADF	1	53	
018-16514-009	Exit Roller (Upper); FB-ADF	1	53	

Part No.	Part Name	Q'ty	Page	Unit Value
018-16515-005	Original Guide Base (R); FB-ADF	1	51	
018-16516-109	Read Roller	1	53	
018-16517-008	Bracket; ADF SW	1	51	
018-16518-101	Motor Cover; FB-ADF	1	53	
018-16519-000	Original Guide (F); FB-ADF	1	53	
018-16520-009	Original Guide Base (F); FB-ADF	1	51	
018-16521-005	Guide Plate; FB-ADF	1	53	
018-16522-001	Bracket; ADF Motor	1	53	
018-16523-008	Hook Plate; FB-ADF	1	53	
018-16526-007	Spacer; WHG	1	53	
018-16527-003	Arm; Pickup Solenoid	1	51	
018-16528-000	Frame B; FB-Original Guide	1	51	
018-16529-006	Stripper Arm; FB-ADF	1	51	
018-16530-004	Pickup Arm; FB-ADF	1	51	
018-16531-000	Pickup Pad Holder; FB-ADF	1	51	
018-16532-007	Open Lever; FB-ADF	1	53	
018-16533-003	Glass Holder R; Image Scanner	1	51	
018-16534-000	Glass Holder L; Image Scanner	1	51	
018-16535-006	Bracket; Original Out Sensor	1	53	
018-16536-002	Bracket; Original Det. Sensor	1	53	
018-16537-009	Bracket; Original Regist. Sensor	1	53	
018-16538-005	Pickup Shaft; FB-ADF	1	51	
018-16539-001	Shaft; Stripper Roller; FB-ADF	1	53	
018-16540-000	Pickup Roller (Upper); FB-ADF	1	53	
018-16541-006	Collar; Stripper Roller	1	53	
018-16542-100	Pulley; Transfer Roller	1	53	
018-16543-009	Tension Pulley A; FB-ADF	2	53	
018-16544-005	Pulley; Read Roller	1	53	
018-16545-001	Exit Pulley; FB-ADF	1	53	
018-16546-008	Spacer; Main Gear; FB-ADF	1	53	
018-16547-004	Metal; 8P	2	53	
018-16548-000	Metal; 8M	5	51, 53	
018-16549-007	Housing; Exit Roller	2	53	
018-16550-005	Housing; Read Roller	2	53	
018-16551-001	Metal; 6	2	51	
018-16552-008	Spacer; Exit Roller	1	51, 53	
018-16553-004	Spring; Stripper Arm	1	51	
018-16554-000	Metal; Exit Roller	1	51	
018-16555-007	De-electricity Brush A; FB-ADF	2	53	
018-16556-003	Spring; Open Lever	2	53	
018-16557-000	Spring; Pickup Solenoid	1	51	
018-16558-006	Spring R; FB-ADF	1	53	
018-16559-002	Spring L; FB-ADF	1	53	
018-16560-000	Pickup Shaft; FB-ADF	1	51	
018-16561-007	ADF Motor; FB	1	53	

Part No.	Part Name	Q'ty	Page	Unit Value
018-16562-003	Pickup Solenoid; FB-ADF	1	51	
018-16563-000	Read Pulse Motor; FB-ADF	1	53	
018-16564-006	Original Det. Sensor	1	53	
018-16565-002	Original Regist. Sensor	1	53	
018-16566-009	Original Out Sensor	1	53	
018-16567-005	Original IN Sensor (Send)	1	53	
018-16568-001	Original IN Sensor (Receive); FB-ADF	1	51	
018-16569-008	Wire Harness; Original IN Sensor	1	51	
018-16570-006	ADF SW; FB	1	51	
018-16571-002	Wire Harness; FB-ADF SW	1	51	
018-16572-009	Belt B; 56	1	53	
018-16574-001	Pickup Pad; FB-ADF	1	51	
018-16575-008	Collar; Pickup Roller; FB-ADF	1	53	
018-16576-004	Sheet Guide; FB-ADF	2	53	
018-16577-000	Bushing; FB-ADF	3	53	
018-16578-007	Free Bushing	1	51	
018-16579-003	Sheet; Pickup; FB-ADF	2	51	
018-16580-001	Spacer; Stripper; FB-ADF	1	51	
018-16581-008	Bushing (1); ADF Motor	1	53	
018-16582-004	Bushing (2); ADF Motor	1	53	
018-16583-000	Bushing (3); ADF Motor	1	53	
018-16584-007	Sheet; Original Guide Base (F)	2	51	
018-16585-003	Belt; 118	1	53	
018-18107-001	Bracket; Trimming PCB II	2	75	
018-51000-107	Trimming PCB II	1	75	
018-51004-005	Digitizer PCB III	1	83	
018-51005-206	Image Processing PCB F	1	75	
018-51006-008	Digitizer Power PCB	1	83	
018-55000-101	Image Flexible Wire	1	55	
018-55001-108	Wire Harness; FB	1	55	
018-55002-007	Wire Harness; Image (FB)	1	56, 75	
018-55003-003	Wire Harness; ADF (FB)	1	53, 56, 75	
018-55006-002	Wire Harness; FB	1	56, 75	
018-55007-009	Wire Harness; Digitizer III	1	83, 85	
018-55008-005	Wire Harness; Image-Digitizer	1	85	
018-55013-009	Ground Wire II; Digitizer	1	83	
018-55014-005	Wire Harness; Digitizer Power	1	83	
018-60000-004	Original Det. Sensor; FB	1	55	
018-60021-206	Image Scanner; CIPSMA301	1	55	
018-60022-202	Image Scanner; CIPSMA401	1	55	
018-65000-002	R Pulse Motor; FB	1	56	
018-70010-008	LCD ROM; Digitizer	1	83	
018-70011-004	DGT ROM; Digitizer	1	83	
018-70013-104	INF ROM (ST); Digitizer	1	83	
018-70014-003	INF ROM (OP1); Digitizer	1	83	

Part No.	Part Name	Q'ty	Page	Unit Value
018-70015-000	INF ROM (OP2); Digitizer	1	83	
018-70016-006	INF ROM (OP3); Digitizer	1	83	
018-70017-002	INF ROM (OP4); Digitizer	1	83	
018-80000-	System ROM; RA (FB)	1	75	
018-96040-053	Unit/Scanner; FB		55	
018-96050-008	Flat Bed PCB	1	55	
018-96075-000	Image Flexible Wire Ass'y		55	
018-96085-006	Ass'y/Hook Shaft; FB		55	
018-96100-102	Unit/Upper Rear Frame; FB		5	
018-96105-104	Interlock Switch; FB		72	
018-96200-018	Unit/Stage Cover		81	
018-96210-005	Stage Cover Hinge Ass'y	2	81	
018-96220-000	Ass'y/Digitizer Stage Cover; FB		83	
018-96600-008	Original Tray Ass'y; FB		79	
018-97005-006	Unit/Operation Panel; 59 US		71	
018-97006-002	Unit/Operation Panel; 59 Pic.		71	
018-97007-009	Unit/Operation Panel; 59		71	
018-97010-000	Unit/Operation Panel; 43 US		71	
018-97011-006	Unit/Operation Panel; 43 Pic.		71	
018-97012-002	Unit/Operation Panel; 43		71	
018-97055-003	Sub-Panel Ass'y; 59 US	1	71	
018-97056-000	Sub-Panel Ass'y; 59 Pic.	1	71	
018-97057-006	Sub-Panel Ass'y; 59	1	71	
018-97060-007	Sub-Panel Ass'y; 43 US	1	71	
018-97061-003	Sub-Panel Ass'y; 43 Pic.	1	71	
018-97062-000	Sub-Panel Ass'y; 43	1	71	
018-97065-009	Sub-Panel; 59 US	1	71	
018-97066-005	Sub-Panel; 59 Pic.	1	71	
018-97067-001	Sub-Panel; 59	1	71	
018-97070-002	Sub-Panel; 43 US	1	71	
018-97071-009	Sub-Panel; 43 Pic.	1	71	
018-97072-005	Sub-Panel; 43	1	71	
204-03310-019	Spacer; Paper Feed Clutch	2	13	
408-02300-001	Battery	1	83	
408-02301-008	Battery; CR-2450	1	75	
435-00018-004	TDK Core; HF70SH40 x 1.3 x 8	1	55	
443-00120-501	Micro-SW; E21-51N	1	60	
443-00120-609	Micro-SW; E21-91N	5	29, 37, 63	
443-00120-900	Micro-SW; E23-91	1	65	
443-00121-109	Micro-SW; 21-52N	1	67	
443-00121-400	Micro-SW; E21-51H-009	1	3, 5	
443-00210-004	Micro-SW; DDIL-AIAA	4	72	
443-02000-600	Micro-SW; AM50630C331	2	7, 11	
443-12000-005	Power Switch; JWZ2120-2001	1	72	
443-30002-007	Sensor K; PS-R11LB	1	9, 11	

Part No.	Part Name	Q'ty	Page	Unit Value
443-30003-003	Sensor; LG-203D	3	7, 13, 17	
443-30003-003	Sensor K; LG-203D	3	55	
443-30005-006	Sensor; GP1A71A	1	18	
479-10002-003	ROM Cover A	1	83	
479-10003-000	ROM Cover B	2	83	
484-00000-800	Pilot Lamp	1	24	
485-00001-804	Fuse 8A 125V 5.2 ULTSC	1	72	
485-00002-401	Fuse 10A 125V 5.2 ULTSC	1	72	
485-00003-203	Fuse 3.15A 250V 5.2 SET	6	72	
485-00003-300	Fuse 5A 250V 5.2 SET	1	72	
485-00003-408	Fuse 3.15A 125V ULTSC	6	72	
485-01420-002	Fuse 1A 250V 5.2SD6	2	72	
485-01421-009	Fuse 1A 250V 5.2 ET	2	72	
485-02520-000	Fuse 6.3A 250V 5.2 ET	1	72	
488-00013-103	Power Cord; 100V	1	75	
488-00014-100	Power Cord; US	1	75	
488-00015-106	Power Cord; 200V	1	75	
488-90003-101	Ground Wire; U3-100-R3	1	63	
488-90008-103	Ground Wire; R3-400-R4	1	81	
488-90009-002	Ground Wire; P. -F. -T.	1	9, 11	
550-20059-108	Seal; P. -F. -T. Down	1	67	
550-20087-004	Seal; Paper Guiding Arm	1	39	
550-20118-104	TPH Seal	1	63	
550-20226-004	Seal; Paper Guiding Arm; Pic.	1	39	
550-20584-008	Seal; P. -Rcv. -T. Pos.	1	35, 37	
550-20590-105	Seal; P. -F. -T.	1	9, 11	
550-20652-208	Emblem; RA4200	1	77	
550-20662-203	Seal; Ink (Black)	1	24	
550-20663-200	Seal; Ink (Black); Pic.	1	24	
550-20665-105	Cover; Drum Holder	1	29	
550-20666-101	Cover; Drum Holder; Pic.	1	29	
550-20669-003	Seal; Setting Master	1	60	
550-20671-105	Seal; M. -M.	1	63	
550-20672-101	Seal; M. -M; Pic.	1	63	
550-20677-103	Seal; Image Scanner	1	43, 45	
550-20678-100	Seal; Image Scanner; Pic.	1	43, 45	
550-20682-107	Seal; Original Size	1	41, 79	
550-20687-001	Seal; P. -Feed Pressure	1	7	
550-20688-008	Seal; P. -Feed Pressure; Pic.	1	7	
550-20690-002	Seal; Master Disposal	1	69	
550-20691-009	Seal; Master Disposal; Pic.	1	69	
550-20693-001	Seal; Set Disposal Box	1	69	
550-20694-008	Seal; Set Disposal Box; Pic.	1	69	
550-20711-107	Seal; Master Cut	1	3, 5	
550-20712-103	Seal; Master Cut; Pic.	1	3, 5	

Part No.	Part Name	Q'ty	Page	Unit Value
550-20716-001	Emblem; RA4900	1	77	
550-20750-005	Emblem; RA5900	1	79	
550-20760-000	Seal; Image Scanner	1	51	
550-20764-006	Digitizer Seal; Ja • US	1	83	
550-20768-001	Emblem; RA4300	1	79	
550-20770-006	Emblem; RA4050	1	77	
550-20861-001	Digitizer Seal; Gr	1	83	
550-20862-008	Digitizer Seal; Fr	1	83	
550-20863-004	Digitizer Seal; It	1	83	
550-20864-000	Digitizer Seal; Sp	1	83	
550-20865-007	Digitizer Seal; In	1	83	
550-20866-003	Digitizer Seal; Ch	1	83	
550-20867-000	Digitizer Seal; Kr	1	83	
600-20049-009	Bearing; 606ZZ	1	55	
600-50046-004	Bearing; FLAWBC6-12ZZA	2	37, 55	
600-50059-017	Bearing; FLW688ZZ	9	9,11,21,35,37,59	
600-50061-003	Bearing; FL608ZZ	1	13	
607-09001-003	Metal; S14 x 18 x 4.5	2	5	
607-10000-010	Metal; F3 x 5 x 3; 8 x 1.4	1	23	
607-11000-200	Metal; F4 x 7 x 6; 10 x 1.5	4	63	
607-11001-002	Metal; F4 x 6 x 2.2; 8 x 1	3	18, 37	
607-12001-006	Metal; F5 x 10/9 x 4; 12 x 1.5	1	7	
607-13000-003	Metal; F6 x 10/9 x 4; 12 x 1.5	4	13, 17, 37, 67	
607-13000-402	Metal; F6 x 10/9 x 6; 12 x 1.5	2	21, 67	
607-15000-000	Metal; F8 x 13/12 x 5; 16 x 2	1	7, 21, 33	
607-15000-809	Metal; F8 x 16 x 6; 18 x 2	4	59	
607-15002-003	Metal; F8 x 12 x 5; 16 x 2	2	17	
607-16000-403	Metal; F10 x 15/14 x 5.5; 20 x 2.5	1	7	
607-16000-802	Metal; F10 x 18/16 x 5; 22 x 1.5	2	7	
607-16000-900	Metal; F10 x 16 x 6; 19 x 2; 14.5 x 1	2	23	
607-17000-105	Metal; F12 x 18 x 10; 24 x 2.5	2	21	
607-50800-109	Washer; TW0815	1	17	
607-50806-301	Liner; R-ML0806	2	59	
607-70815-005	Washer; R-WAS8399H	1	13	
610-00002-002	Damper; FB	2	56	
611-01420-000	Pulley; f14 x 8	1	55	
611-30090-000	Pulley; P63/20-2M-6; HTD	1	55	
611-42100-001	Pulley; P21-3M060 (HTD)	1	7	
611-42600-004	Pulley; P26-3M060 (HTD)	1	7	
612-03103-009	Gear B; 1.25 x 14	2	67	
620-20503-004	Belt; B50M x L3.2	1	59	
620-20714-005	Belt; B71M x L4.8	1	31	
620-21309-104	Squeegee Belt; B130/65M x L9.5	1	23	
620-21559-003	Belt; B115M x L9.5	1	31	
620-22364-001	Belt; B236M x L-4.8	1	35, 37	

II. INDEX

[NOTICE]

- ★ When you order spare parts, please never fail to order the parts listed in this Index after making sure of what is the spare parts you want.
- ★ For modified or added parts, please refer to the technical information issued by our technical department.
- ★ What the part No. means;

Ex.)

0 0 0 - 0 8 9 4 0 - 0 0 1

- For classification of parts
- Main number in part No.
- Surfix No.

(In case of modification
this number is changed.)

- When you order spare parts, please never fail to inform us all of this part No. (the number of eleven figures).